

# Wilkhahn

Confair. 440 range.





## Confair.

The Confair range is the perfect example of image building and innovative force combined. High-quality details, excellent materials and a distinctive design boost team spirit and the impression created. At the same time, the range's modular, easy-to-transport structure and innovative functional details encourage participation, personal organisation and interactive skills. And it saves on overheads for rooms and facility management to boot. It is no surprise that Confair has set an example in the industry worldwide as a new type of furnishing concept. In terms of function and superb design, it is a good choice for workshop, project, seminar and conference settings.

# Confair. 440 range. Product types.

Wilkhahn



441/1  
Mobile desk



442/1  
Flipchart



443/1  
Pinboard/whiteboard



448/9  
Lectern



446/3  
Server catering/interactive conference



446/3  
Server catering/interactive conference



447/00  
Power Server frame with 447/11 writing tablet and 447/09 Power base and 705/10 Mov:e Power Unit

# Confair. 440 range. Frame types.

# Wilkhahn

## Bases



Polished aluminium, coated in black or with a silver satin finish

## Stands, profiles and frames



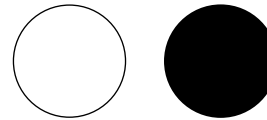
Aluminum clear anodized, black or silver-coated matte satin finish

## Table top groups for lecterns, drawers and boxes



Laminate, wood decor laminate, veneer version 1 or 2  
You can find further surfaces in our media center

## Power Server frame



Aluminum, coated black or white, associated components in the same color  
(e.g. Power base in HPL black or white)

# Confair. 440 range.

## Wilkhahn



The new Confair Power Server turns any space into a multifunctional, collaborative environment – making it future-proof and independent of the mains power supply. A choice of various configurations tap into virtually infinite options ranging from traditional to hybrid types of collaboration. The 447/00 Power Server frame can be custom-configured to meet a whole host of requirements and foster interaction and creativity in the best possible way. For instance, a 447/11 writing tablet and a 447/09 Power base are practical places to put workshop utensils or mobile devices, which can also be recharged via the in-built Twist socket. The socket can be opened automatically at the touch of a button to reveal the otherwise stylishly concealed power connection and both USB-A and USB-C express charging ports.

The optional Mov:e Power Units (model 705/10) can even operate various devices autonomously for several hours without a break. As a result, teams have the flexibility to work just where it suits them best.



# Confair. 440 range.

## Wilkhahn



Up to two Power bases (model 447/09) or Duo Power bases (model 447/10) can be fitted to one Confair Power Server frame (model 447/10). All adaptors and cables are mounted underneath a cover and screens made of recycled PET felt. Only a short extension lead between the two bases is required to supply the whole Power Server frame from the mains with just one single, central supply lead for all units configured. This guarantees a safe, discreet power supply without any obstacles to trip people up. When the cable's not required, it's compact to stash away at the rear of the Power Server.

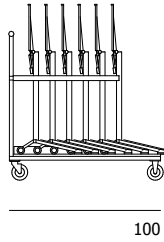
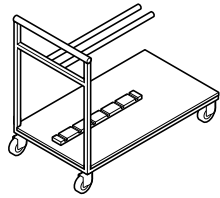
The optional Mov:e Power Units (model 705/10) come with practical handles, ensure maximum mobility of most office devices thanks to a connection for a mains plug and two USB-A and USB-C ports each. After use, the effective mobile power sources can simply be placed in the integrated docking stations to recharge. If the Power Server frame is connected to the mains, they are then automatically fully charged within three hours max. The Twist techni-station in the Power base supplies devices with mains plugs or USB-A or USB-C ports with power.

If several Mov:e Power Units are used and charged, the Duo Power base can increase the charging options to a maximum of four docking stations per Power Server frame.

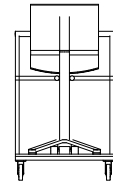
# Confair. 440 range. Accessories and other items.

# Wilkhahn

441 Four-wheeled trolley for 6 mobile desks

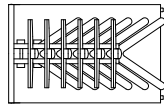


100



65

98

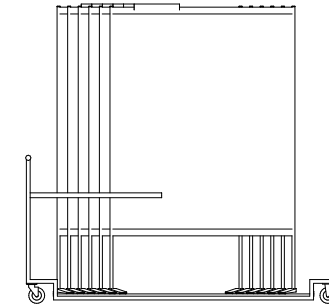
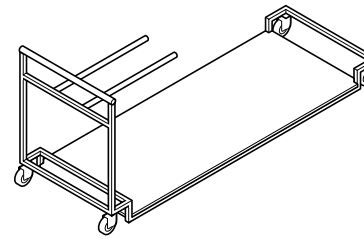


65

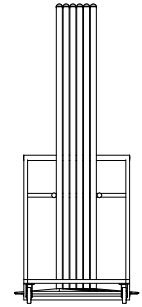
100

441

443 Four-wheeled trolley for 6 pinboards or 6 whiteboards

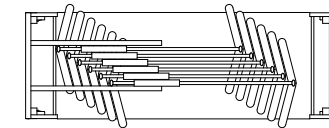


203



96

70



70

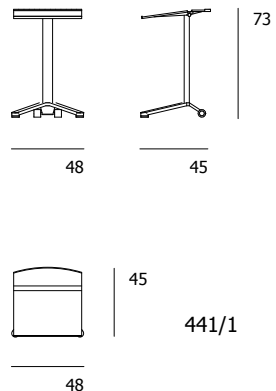
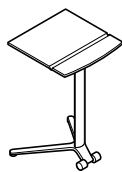
203

443

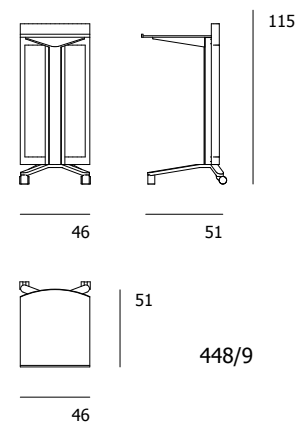
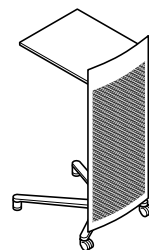
# Confair. 440 range. Models and dimensions.

# Wilkhahn

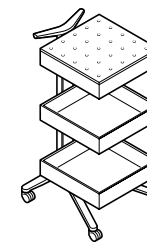
**441/1**  
Mobile desk



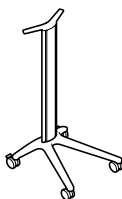
**448/9**  
Lectern



**446/3**  
Server catering/interactive conference



**447/00**  
Power Server frame



**447/09**  
Power base,  
optionally with a 705/10 Mov:e Power Unit



**447/10**  
Duo Power base,  
optionally with a 705/10 Mov:e Power Unit



**447/11**  
Writing tablet

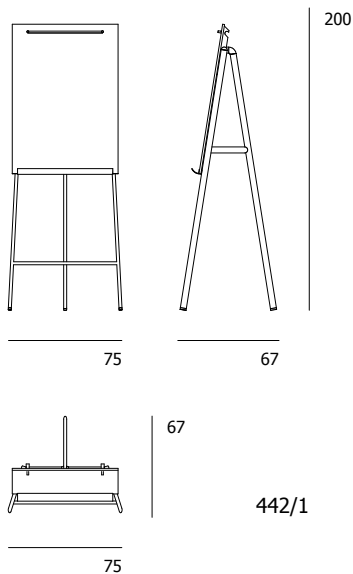
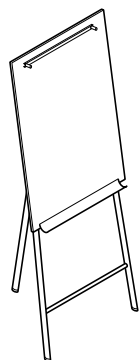




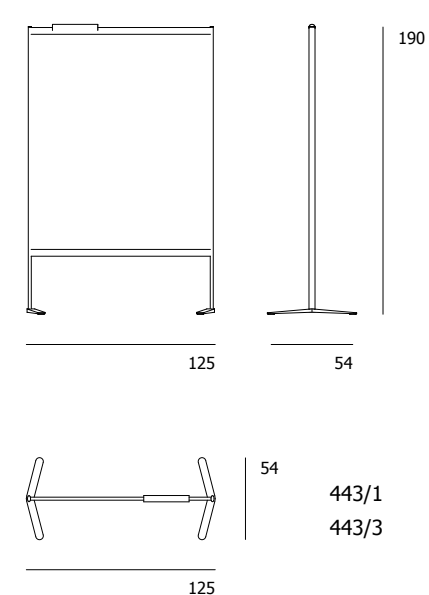
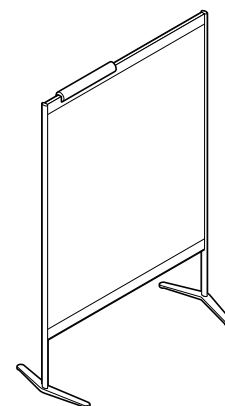
# Confair. 440 range. Models and dimensions.

# Wilkhahn

442/1  
Flipchart

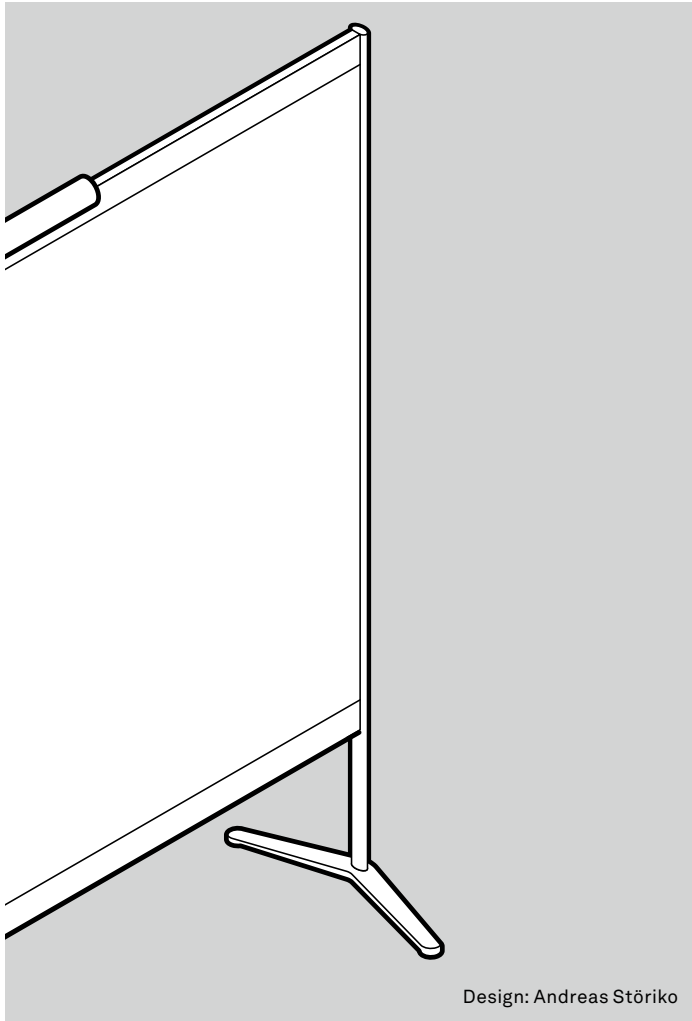


443/1  
Pinboard/whiteboard



# Confair. 440 range. Technical details.

# Wilkhahn



## Function

Mobile and compact furniture range for dynamic teams organizing the set-up of multipurpose spaces themselves.

## Mobile desk

### Frame

Polished die-cast aluminum star base. Oval aluminium profile column with a clear anodized finish or coated in a silver satin finish, or white or black, black or white with a textured matte finish. Black polyamide casters and glides.

### Writing tablet

Birch plywood, connected to the column and can be tilted up. The front and rear edge with raised black polypropylene edging.

## Surfaces

### Table top group 1 – laminate

Table top thickness 11 mm Laminate from the Wilkhahn color and surface samples. Edge/lipping natural oiled finish.

### Table top group 2 – veneer

Table top thickness 11 mm Variant 1: Beech, oak or ash veneer from the Wilkhahn woodstain color samples. Variant 2: Maple, elm or walnut veneer from the Wilkhahn woodstain color samples.

### Veneer type

As a standard, the veneers are made by slip-match method. Surfaces sealed with clear lacquer: open-pore: Oak, ash, walnut and elm veneer closed-pore: maple and beech veneer. Some specific growth features possible.

## Accessories

Four-wheeled trolley

## Side table

### Frame

Polished die-cast aluminum star base. Oval aluminium profile column with a clear anodized finish or coated in a silver satin finish, or white or black, black or white with a textured matte finish. Black polyamide casters and glides.

## Table top

### Table top table top group 7 – black/white through-dyed

Panel thickness 12 mm Table top made of through-dyed HPL (High Pressure Laminate) in black or white, chamfered lipping.

## Server

### Frame

Star base in die-cast aluminum, polished or coated in a silver satin finish or black or black with a textured matte finish, or white or white with a textured matte finish, with four black polyamide twin-wheel swivel casters. Aluminum profile column and cable management covers, clear anodized or coated to match the star base. Black polypropylene handle.

### Top shelf and box bracket

Black-coated, die-cast aluminum

### Shelf

Sheet steel part with black textured coating.

# Wilkhahn

## Box

Sheet steel part with black textured coating. Sideboard body and fronts made of birch plywood.

## Box with drawer

Sideboard body and fronts made of birch plywood. Sheet steel part with black textured coating. Solid beech drawer with a natural finish, on steel runners. Inside dimensions of drawer 37 x 37 cm. Sheet steel part with black textured coating.

## Body group 1 – laminate

Table top thickness 12 mm Laminate from the Wilkhahn color and surface samples. Edge/lipping natural oiled finish.

## Body group 2 – veneer

Table top thickness 12 mm Variant 1: Beech-, oak- or ash veneer from the Wilkhahn woodstain color samples. Variant 2: Maple, elm or walnut veneer from the Wilkhahn woodstain color samples.

## Veneer type

As a standard, the veneers are made by slip-match method. Surfaces sealed with clear lacquer: open-pore: Oak, ash, walnut and elm veneer closed-pore: maple and beech veneer. Some specific growth features possible.

## Important:

please observe load-bearing capacity: When load is distributed evenly, server 60 kg max., shelves, boxes each 20 kg, box with drawer 20 kg, within the drawer itself 6 kg.

## Lectern

### Frame

Like the server, but with two twin-wheel swivel casters and two glides made of black polyamide.

### Lectern top

Birch plywood, front edge with raised black polypropylene edging.

## Surfaces

### Table top group 1 – laminate

Table top thickness 11 mm Laminate from the Wilkhahn color and surface samples. Edge/lipping natural oiled finish.

### Table top group 2 – veneer

Table top thickness 11 mm Variant 1: Beech, oak or ash veneer from the Wilkhahn woodstain color samples. Variant 2: Maple, elm or walnut veneer from the Wilkhahn woodstain color samples.

## Veneer type

As a standard, the veneers are made by slip-match method. Surfaces sealed with clear lacquer: open-pore: Oak, ash, walnut and elm veneer closed-pore: maple and beech veneer. Some specific growth features possible.

## Modesty panel

Perforated steel with a silver satin finish, or coated black, white or black with a textured matte finish, or white with a textured matte finish. Unperforated top edge for company logos (115 x 426 mm max.).

## Accessories

Extra shelf, width 45 cm, depth 35 cm.

## Pinboard / whiteboard

### Frame

Foot sections made of die-cast aluminum, polished. Black polyamide glide Frame optionally with four lockable black casters.

### Frame

Aluminum profile sides and braces, clear anodized or with a silver satin finish, or coated black.

## Surface of pinboard

Covered with gray felt on both sides. With pinstrip made of anthracite-colored polyether foam.

## Surface of whiteboard

One side covered with gray felt, one side with white enameled sheet steel, magnetic, can be written on with dry-wipe board marker pens and suitable as a projection screen

## Accessories

Four-wheeled trolley for a whiteboard starter kit,

## Flipchart

### Frame

Model 442/1 Fold-up three-leg aluminum profile frame, bright chrome-plated, clear anodized or coated in black or black with a textured matte finish, or white, or white with a textured matte finish, or with a silver satin finish. Black polyamide hinge and glide. Frame optionally with three black casters, rear caster with locking device (in this version the frame can't be folded up). Writing panel made of MDF (Medium-Density Fiberboard) melamine resin bonded surface. Panel thickness 13 mm, in light gray; adjustable in three heights, can be taken off. Two pins to add standard flip chart paper, with black polyamide paper holder. Aluminum profile pen tray, clear anodized or coated to match the frame.

## Power Server

### Power Server frame

To accommodate the writing tablet, Power base (two bases per server frame max) and other system components. Star base made of die-cast aluminum, column and cable management covers made of aluminum profile, in black or white coating with textured matte finish. Black polypropylene handle. With a cable winding device made of silicone and clamping device for affixing a mains plug. With four twin-wheel swivel casters with a black polyamide tire are the standard version for carpets; casters available with a polyurethane tire for hard floors (please specify when ordering). Two manually lockable casters.

### Writing tablet

Panel made of black or white through-dyed HPL, 12 mm thick, 46 x 46 cm, with chamfered edging. Attached to the support made of die-cast aluminum, black or white coating with textured matte finish.

### Power base

Base with docking station to charge Mov:e Power Units (please order separately) as well as extra fitted Twist socket (230 V and USB-A + USB-C; please state local standard when ordering). Panel made of black or white, through-dyed HPL, 12 mm, with screen made of dark gray PET felt all the way round (if the panel is black) or light gray (if the panel is white). Base support to match the panel, with a black or white coating with textured matte finish. Base with integrating recharging shell and adaptor to recharge Mov:e Power Units. Twist socket, opens automatically at the touch of a button. Concealed wiring on the inside and adaptor. A central supply lead (please order separately stating the local standard) feeds power to the whole system. A connecting cable can link several power bases with each other.

## Duo Power base

Base with docking station to charge two Mov:e Power Units (please order separately) at the same time.

Panel made of black or white, through-dyed HPL, 12 mm, with screen made of dark gray PET felt all the way round (if the panel is black) or light gray (if the panel is white). Base support to match the panel, with a black or white coating with textured matte finish. Power base with two integrated charging shells and adaptors to recharge two Mov:e Power Units at the same time. Concealed wiring on the inside and adaptors. A central supply lead (please order separately stating the local standard) feeds power to the whole system. A connecting cable can link several power bases with each other.

## Mov:e Power Unit

Efficient, mobile, lithium-ion 230 Wh rechargeable battery to operate all standard office equipment, from laptops to digital flipcharts, without having to rely on power from the mains. A swivel-mounted handle makes it a mobile item. Connection options for one 230 V mains plug, max. 150 W (CEE 7/3, please specify local standard when ordering), two USB-A charging options, max. 15 W, and two USB-C charging options, max. 60 W. Housing black or white coated. The Mov:e Power Unit can be recharged via Power bases or an adaptor (available separately) or docking station.

## Wilkhahn and sustainability

# Wilkhahn



In over 100 years of its corporate history, Wilkhahn can look back on a sustainability philosophy that has grown over decades. Aspects such as durability, social fairness, environmental responsibility and cultural orientation have been evolving as corporate principles since the 1950s. Wilkhahn today is regarded internationally as a model of excellence, not only on account of its products but also because of its modern corporate philosophy. This is because the company realized early on that sustainable design should embrace environmental aspects, improve social relationships and define the cultural role of a company. This approach to the way we do business creates a bond between us and our customers throughout the world. There is surely no more rewarding task than working together for a successful future that is worth living in.

📄 [Current sustainability report with environmental statement](#)





For further information please contact us!

# Wilkhahn



Wilkening + Hahne GmbH+Co.KG  
Fritz-Hahne-Str. 8  
31848 Bad Münder  
Germany  
Tel.: +49 5042 999 100  
[contact@wilkhahn.de](mailto:contact@wilkhahn.de)  
[www.wilkhahn.com](http://www.wilkhahn.com)



Roof of one of the four pavilions,  
which were designed by architect  
Frei Otto, on the Wilkhahn site.

Photo: Klemens Ortmeier