

# Wilkhahn

Graph. 30 range.





## Graph.

Graph is the ideal choice where superior comfort and uncompromising quality are required. The name of the range, designed by Markus Jehs and Jürgen Laub, refers to its graphical aesthetic. And it's this feature the chair owes its name to: the seat shell is cut through horizontally and vertically and then reassembled. The upshot is an intriguing mix of a fluid form and clear lines, closed and open areas, harmony and contrast. The same goes for the matching tables and their suggestion of lightweight elegance. Whether they're destined for large conferences, small meetings or executive offices, Graph tables and chairs are an appealing combination due to their impressive finishes, exclusive materials and flawless craftsmanship. As a result, Graph is already one of tomorrow's classic items of furniture.

[+ Video](#)

[+ Graph tables](#)

Design: jehs+laub

A 301/5 chair model at a 300/00 table; photo: Thomas Bach.



The image shows Graph furniture in the conference room belonging to our digital projection of a human-centered workplace. Aspects such as health and well-being, collaboration and innovation, identity and values, as well as profitability and purpose are all reflected here. Superior design, haptics, comfort and leg room enhance people's well-being and make them feel valued. The oval table ensures a high level of interaction and that everyone collaborates on an equal footing. The table top with its oak veneer, the brown leather and frame surfaces subtly match the company's interior design concept, which prevails throughout the whole floor. The seminal design of the Graph furniture underscores the company's modern approach. What's more, the high-quality (in some cases renewable) materials, such as wood and the vegetable-tanned leather, are durable and resource friendly. Last but not least, a happy workforce benefits the company because they think up ideas and take decisions all the more easily...

- + Take a look at the conference room and Graph furniture in the human-centered workplace from all sides – and change the color scheme interactively if you like.



301/5 chair models at a table configuration with models 300/14, 300/16, 300/15 and customized versions for the curved models. Photo: Werner Huthmacher Photography Berlin



302/7 chair model



301/5 chair models at a 300/14 table segment model



301/5 chair model at a 300/26 table configuration for 16 people



302/6 chair models at a table configuration from models 300/14 and 300/15 for 14 people. Photo: Bakoko



301/5 chair models at a 300/28 Graph table configuration for 22 people, photo: Frank Schinski





302/5 chair models with casters at a table configuration made on site.



301/5 Graph chairs with casters at a table configuration made on site, interior Caspar Schwarz, photo: Peter Baas.



301/5 chair models with casters at a table configuration made on site. Photo: Eric Laignel



302/6 chair models at a table configuration made on site. Interior NIHON SEKKEI, photo: KIKAKU



301/5 chair models with casters at a table configuration made on site, interior: Inside Group.lu with Juval Samuelov, photo: Vincent Remy



301/5 chair models with casters at a table configuration made on site. Interior: Fokkema & Partners Architecten, photos: Horizon Photoworks, Bram Vreugdenhil



301/5 chair models at a table configuration from models 300/14, 300/16 and 300/15. Interior: FLOOAT, Inc., photo: Nakasa + Partners



Chair models 301/5 with table configuration from models 300/14, 300/16 and 300/15, interior: Inside Group.lu, photo: Vincent Remy





### Chair model 304/6

Wilkhahn boldly promised that its Graph chair range would revolutionize the conference furnishing segment. The chair family and its matching table range are the new go-to option among high-end conference furniture. For the iconic edition, the designers played with contrasts in the upholstery too. Even the standard upholstery stands apart for its perfectly stitched covers and frame fully fitted with foam, extra padding and wave springs. These details are normally only encountered in exclusive upholstered furniture. The combination of the two elastic Powerjoint supports at the front and the supporting leaf springs at the back generates springy comfort in all directions. For the iconic edition, upholstery foam, laminated on both sides, is added to part of the seat and backrest cover. Stylish, diamond-shaped top stitching is used to sew the foam to the cover. Due to all the many, three-dimensional mini cushions created, the upholstery offers superior comfort. It also lends the chair a unique appearance and the centuries-old top stitching method adds a touch of luxurious quality. And together with the elegant, iconographic shape of the chair, the result is a seminal symbol with an aesthetic all of its own.



The top stitching on the leather covers creates contours and continues in the leather armrest pads.



The design's perfect, right down to the last detail. The chair's fluid transition points and sophisticated upholstery offer an outstanding high-quality look and feel and comfort.



Graph is so distinctive for the way that contrasts are played with to form a special piece of furniture. The contrast between straight lines and organic curves, hard and soft materials, industrial-standard perfection and superb craftsmanship is also continued in the top-stitched upholstery.



Although the diamond shapes are quite small, they stand out clearly as mini three-dimensional cushions.

# Graph. 30 range. Product types.

# Wilkhahn



**301/5**  
Medium-height backrest  
Swivel-mounted  
Four-star base



**301/7**  
Medium-height backrest  
Swivel-mounted  
Precision-adjustable height  
Five-star base



**301/8**  
Medium-height backrest  
Precision-adjustable height  
With rocking technology  
Five-star base



**302/5**  
High backrest  
Swivel-mounted  
Four-star base



**302/7**  
High backrest  
Swivel-mounted  
Precision-adjustable height  
Five-star base

# Graph. 30 range. Product types.

# Wilkhahn



**304/5**  
High backrest  
Swivel-mounted  
Four-star base



**304/5**  
High backrest  
Swivel-mounted  
Four-star base on casters



**304/6**  
High backrest  
Swivel-mounted  
Five-star base



**304/7**  
High backrest  
Swivel-mounted  
Precision-adjustable height  
Five-star base



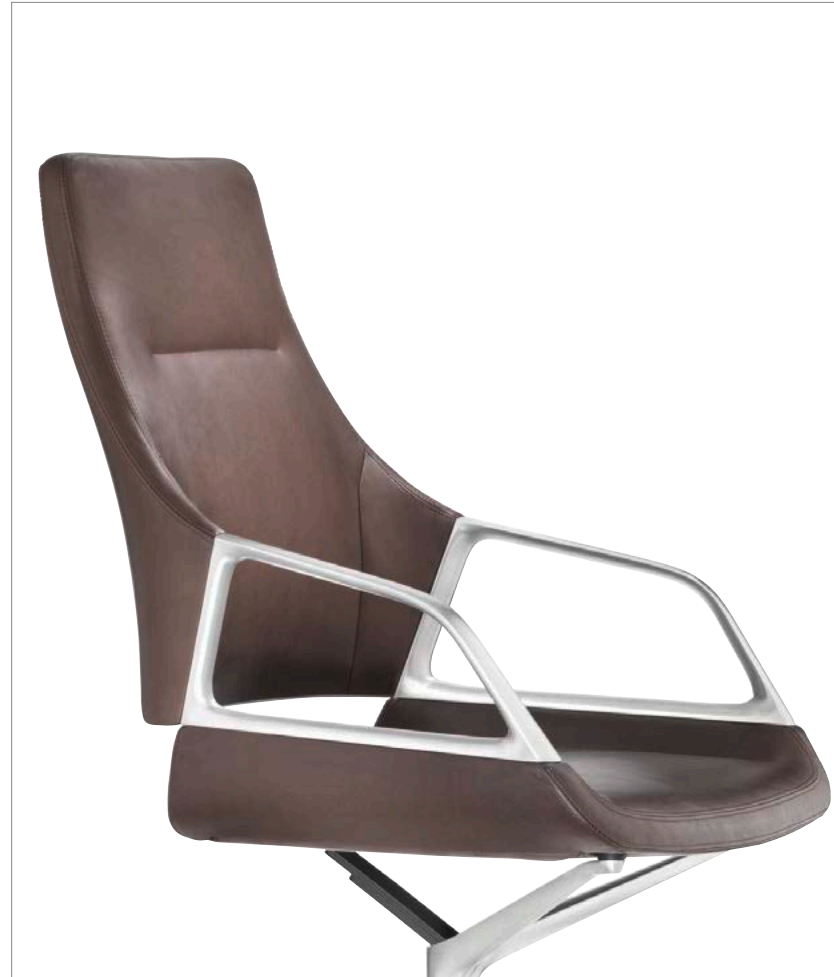
**304/8**  
High backrest  
Precision-adjustable height  
With rocking technology  
Five-star base

# Graph. 30 range. Upholstery types.

# Wilkhahn

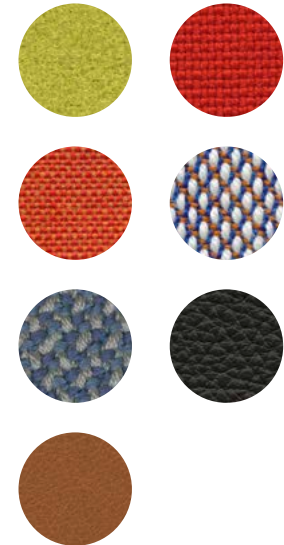


Seat and backrest frame fully upholstered with fabric



Seat and backrest frame fully upholstered with leather

## Upholstery material

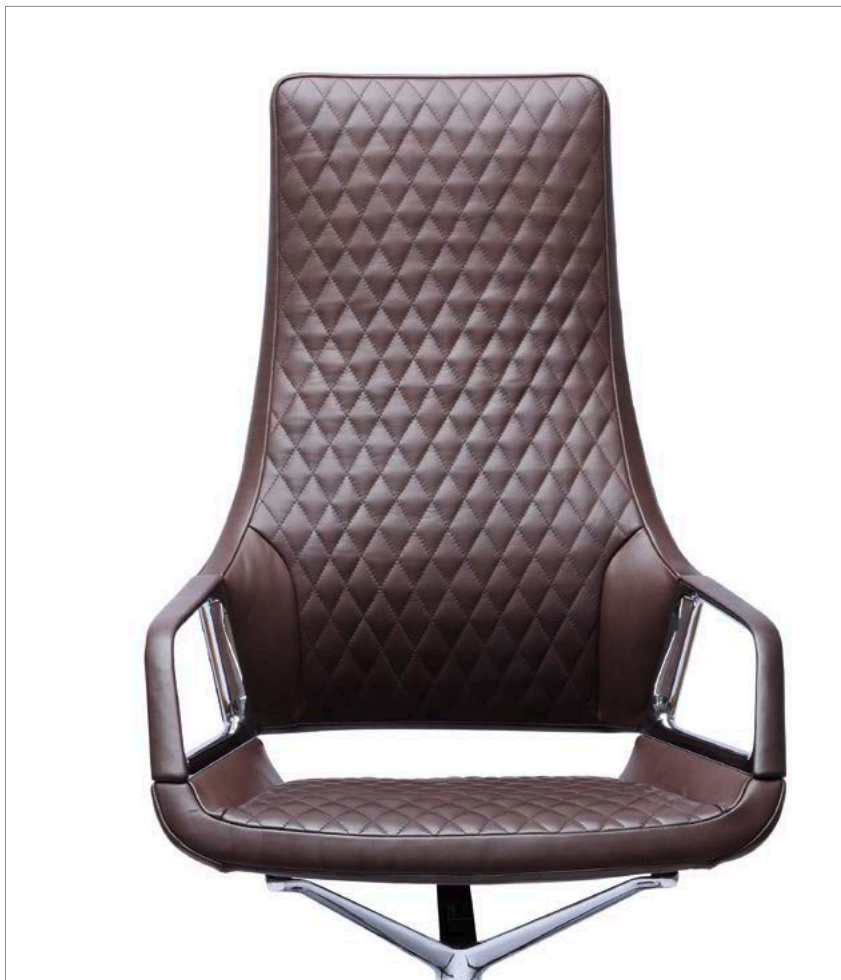


60 Blend | 66 Lona | 68 Kvadrat Remix 2  
 91 Kvadrat Steelcut Trio 3 | 92 Credo  
 74 Leather | 87 Leather  
 You can find all upholstery materials and more colors in our media center

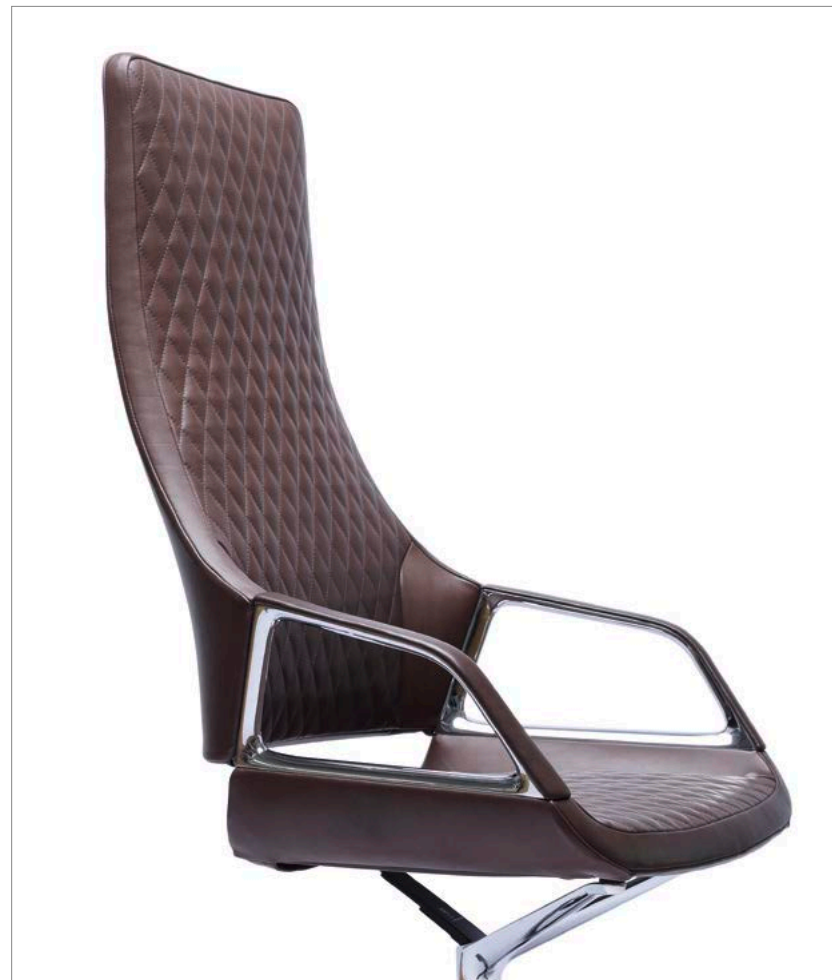
The digital sample colors differ from the originals.

# Graph. 30 range. Upholstery types.

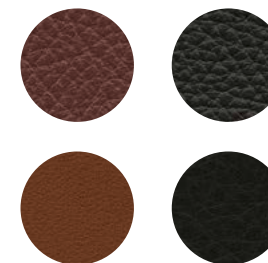
# Wilkhahn



Seat and backrest frame fully upholstered, with partially top-stitched leather



## Upholstery material



74 Leather | 87 Leather  
You can find all upholstery materials and more colors in our media center

The digital sample colors differ from the originals.

# Graph. 30 range. Frame types.

# Wilkhahn



Aluminum frame matt polished  
(Aluminum frame bright chrome-plated not pictured)



Aluminum frame with black coating



Aluminum frame with signal-white coating

## Frame surfaces



Bright chrome-plated aluminum or matt polished, coated in black or signal white



## Armrests

Optionally with integrated, leather-covered armrest pads, only color matched when a 74 or 87 leather cover is chosen.

The digital sample colors differ from the originals. You can find our current fabric collection in our media center.

# Graph. 30 range. Frame types.

Wilkhahn



Frame with glides



Frame with base glides



Frame with casters



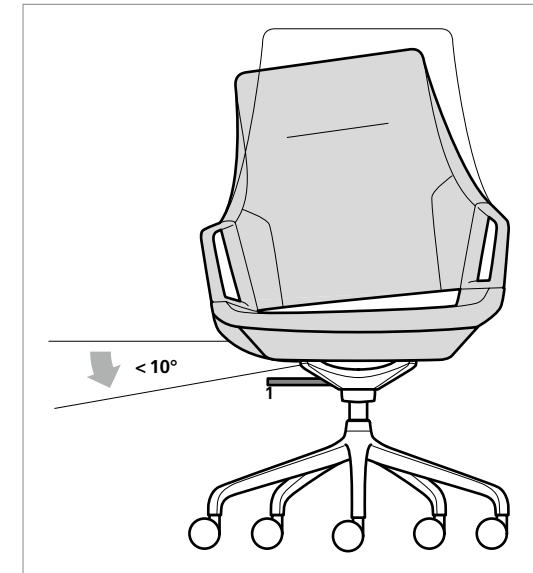
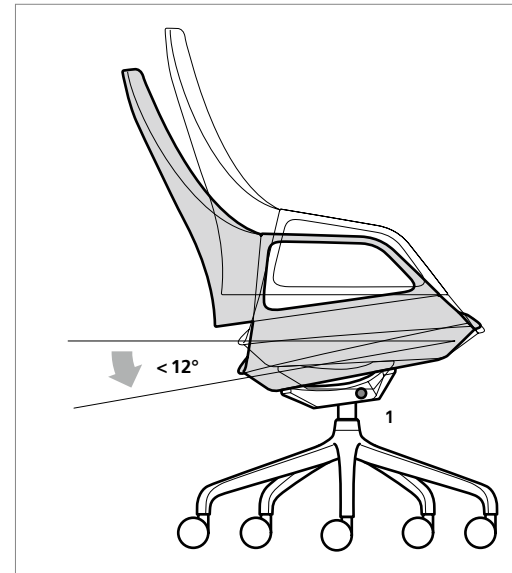
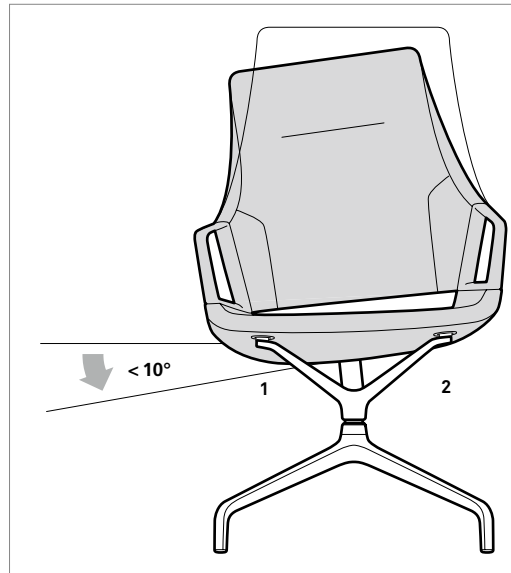
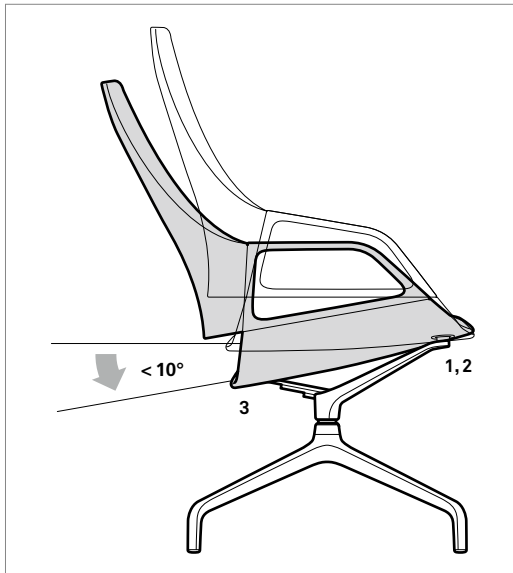
Models 301/8, 302/8 and 304/8 with integrated rocking mechanism made of die-cast aluminum



# Graph. 30 range. Health and ergonomics.

# Wilkhahn

Graph is a conference chair designed for high-end requirements. The seat, backrest and armrests make a fluid, seamless impression, lending the chair a lightweight and classy look. Top-notch covers, slender armrests and the frame of coated bright-chrome-plated or matt-polished aluminium underscore the high-quality appearance. Just as remarkable as its form is the comfort offered. This is based on the sophisticated cushioning of the seat and backrest and the elastic mount of the seat on a Y-shaped bearer and central spring at the back. Graph models where the seats come with active rocking technology ensure an even greater range of motion. Thanks to precise height adjustment capabilities, this model is also ideal as a first class executive chair or exceptionally agile item of conference seating.



The seat shell moves with the frame, therefore offering extra comfort. Due to the elasticity of the two connecting elements on the Y-shaped bearer at the front (1, 2) and a sprung brace at the rear (3), the seat can tilt backwards and sideways to mirror the user's movements.

Graph models with active rocking technology have precision-adjustable height and a rocking mechanism that can be locked in place. Both settings are made via a lever at the side (1).

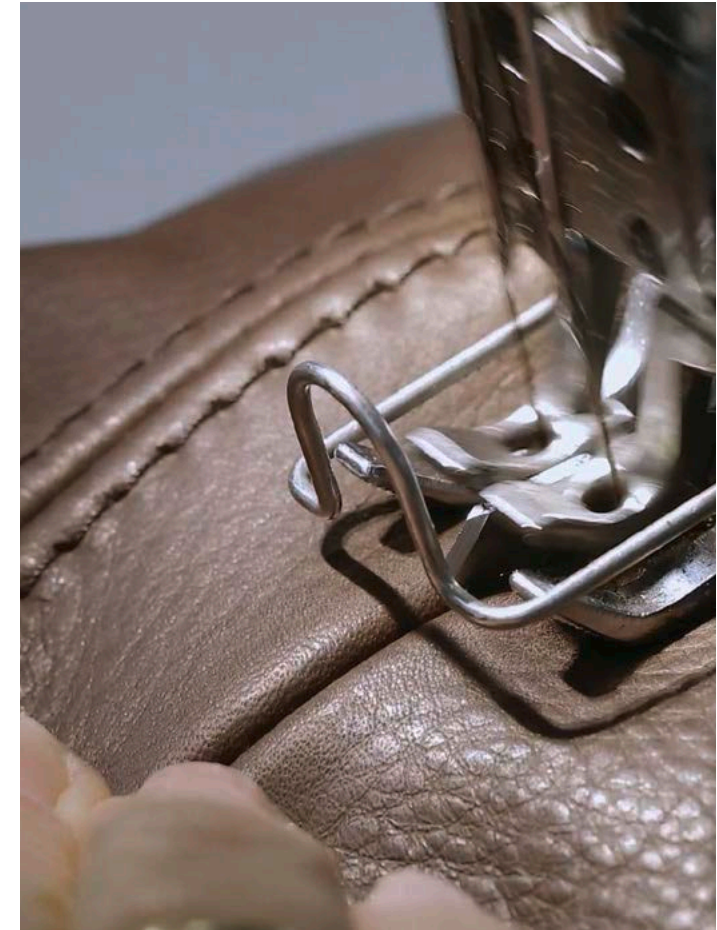
# Wilkhahn



The exclusive look and feel of the Graph chairs is due to a combination of flawless design, choice materials and superior craftsmanship.



Graph is made only with exceptionally high-quality textiles and hand-picked, semi-aniline or vegetable-tanned bullhide leathers, from which the multiple parts of the cover requiring sewing are cut.

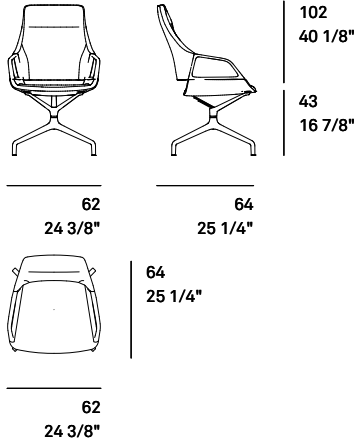


The stitching has to be meticulously precise so that the transitions between the upholstery and the armrest's contours match perfectly.

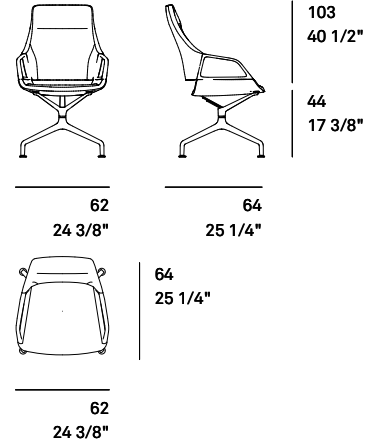
# Graph. 30 range. Models and dimensions.

# Wilkhahn

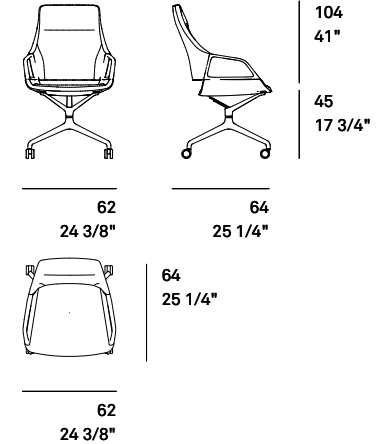
**301/5**  
Medium-height backrest  
Swivel-mounted  
Four-star base



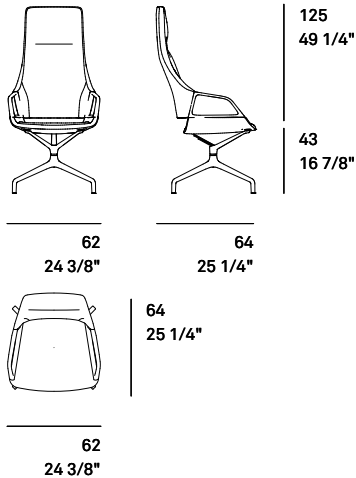
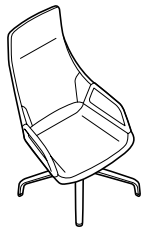
**301/5**  
Medium-height backrest  
Swivel-mounted  
Four-star base  
with base glides



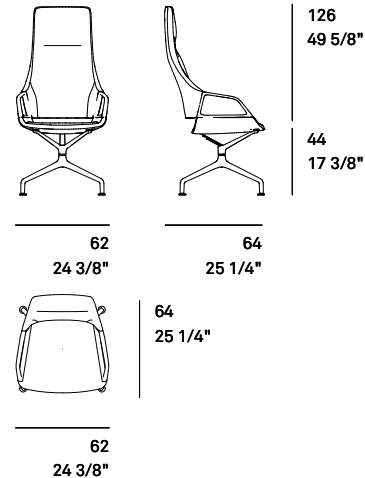
**301/5**  
Medium-height backrest  
Swivel-mounted  
Four-star base  
with casters



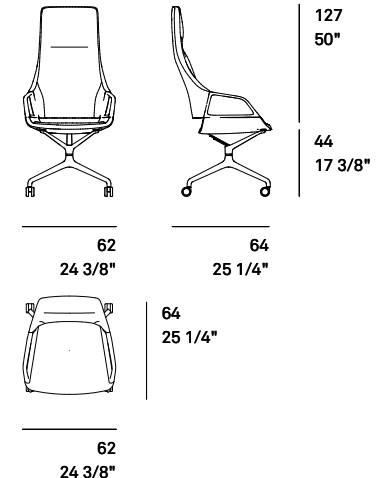
**302/5**  
High backrest  
Swivel-mounted  
Four-star base



**302/5**  
High backrest  
Swivel-mounted  
Four-star base  
with base glides



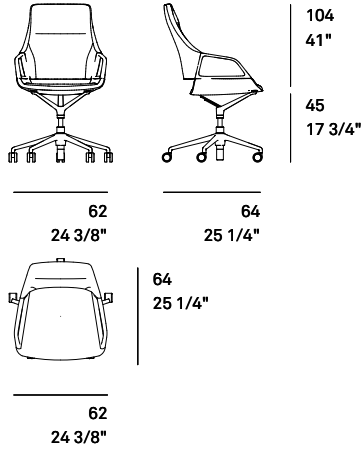
**302/5**  
High backrest  
Swivel-mounted  
Four-star base  
with casters



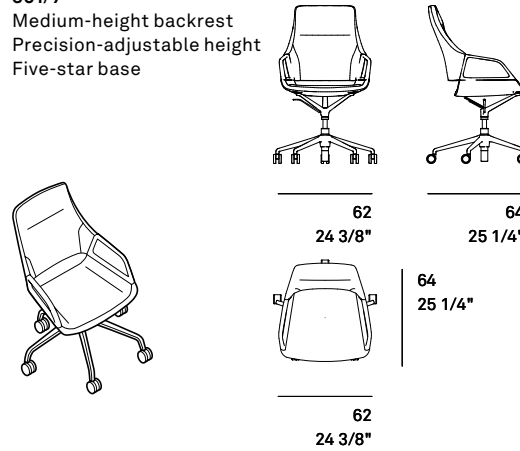
# Graph. 30 range. Models and dimensions.

# Wilkhahn

**301/6**  
Medium-height backrest  
Swivel-mounted  
Five-star base



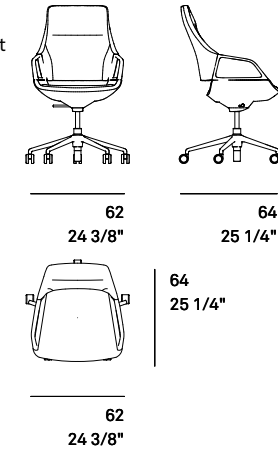
**301/7**  
Medium-height backrest  
Precision-adjustable height  
Five-star base



**100/110**  
39 3/8" / 43 1/4"

41/51  
16 1/8" / 20 1/8"

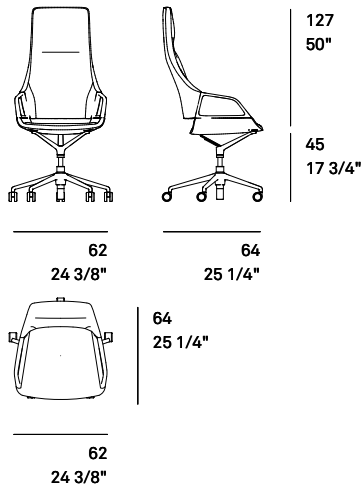
**301/8**  
Medium-height backrest  
Precision-adjustable height  
With rocking technology  
Five-star base



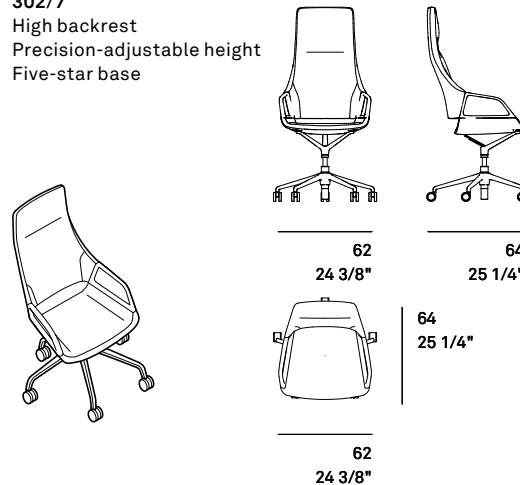
**100/110**  
39 3/8" / 43 1/4"

41/51  
16 1/8" / 20 1/8"

**302/6**  
High backrest  
Swivel-mounted  
Five-star base



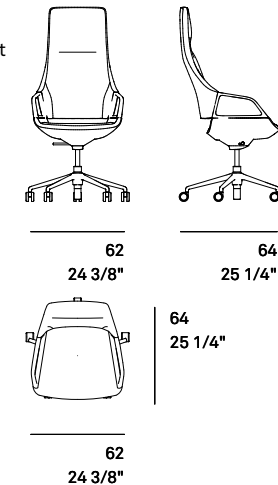
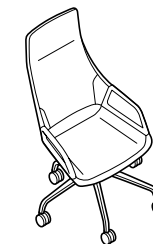
**302/7**  
High backrest  
Precision-adjustable height  
Five-star base



**123/133**  
48 3/8" / 52 3/8"

41/51  
16 1/8" / 20 1/8"

**302/8**  
High backrest  
Precision-adjustable height  
With rocking technology  
Five-star base



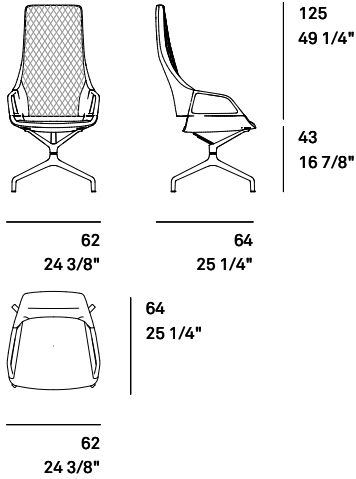
**123/133**  
48 3/8" / 52 3/8"

41/51  
16 1/8" / 20 1/8"

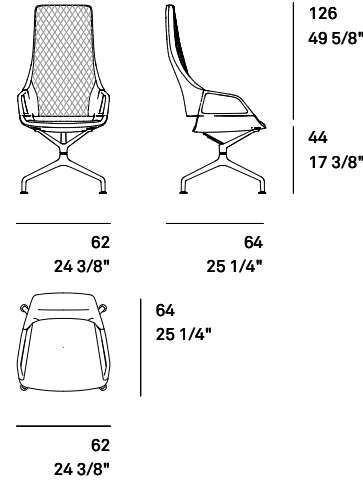
# Graph. 30 range. Models and dimensions.

# Wilkhahn

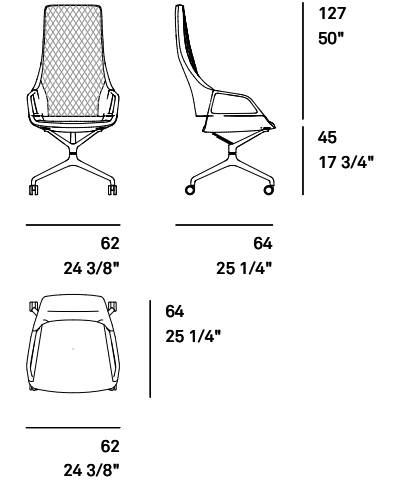
**304/5**  
High backrest  
Swivel-mounted  
Four-star base



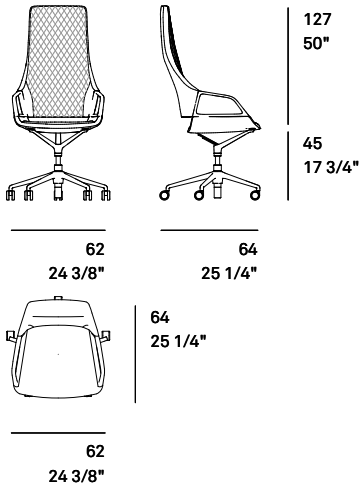
**304/5**  
High backrest  
Swivel-mounted  
Four-star base  
with base glides



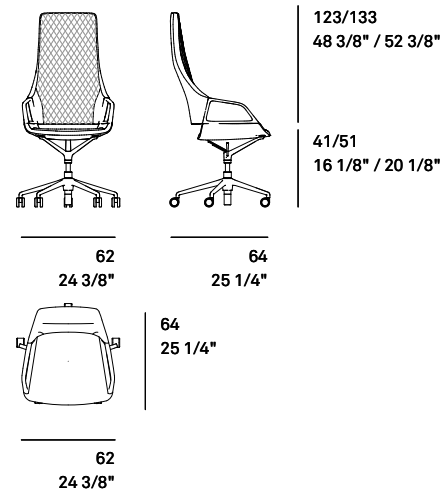
**304/5**  
High backrest  
Swivel-mounted  
Four-star base  
with casters



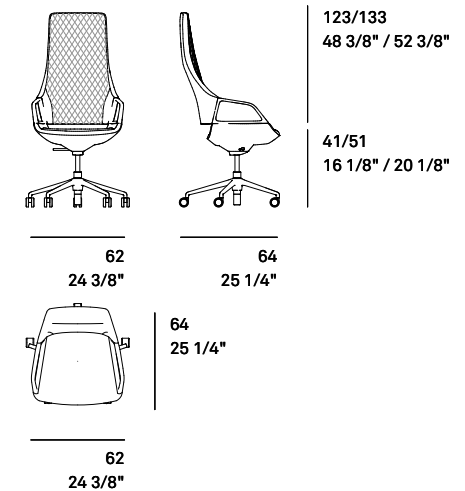
**304/6**  
High backrest  
Swivel-mounted  
Five-star base



**304/7**  
High backrest  
Precision-adjustable height  
Five-star base



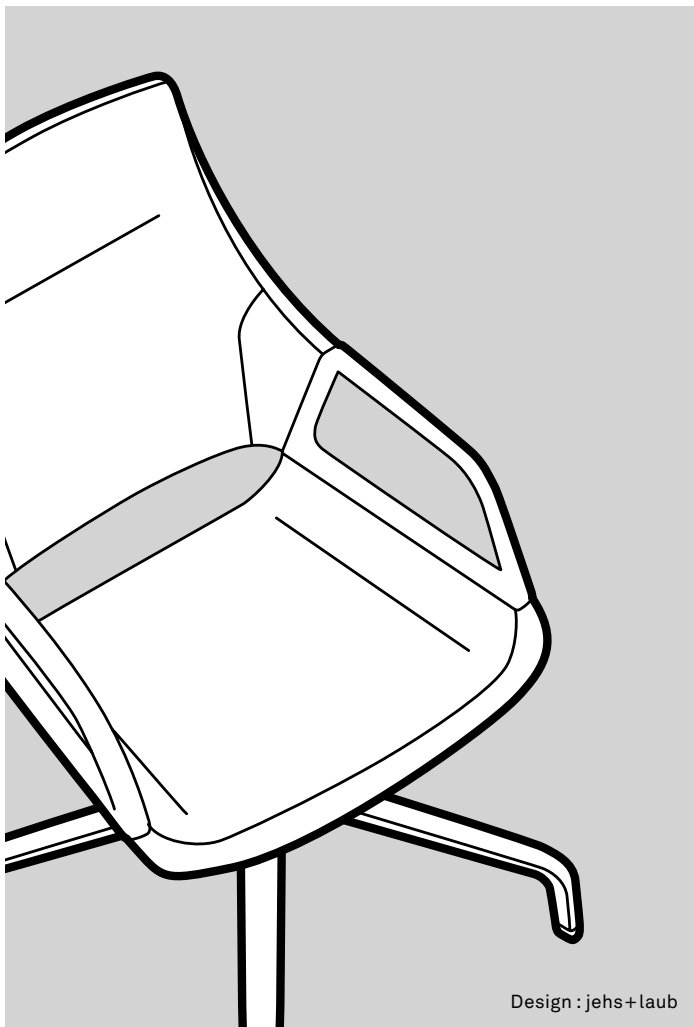
**304/8**  
High backrest  
Precision-adjustable height  
With rocking technology  
Five-star base



All dimensions in cm. Subject to change.

# Graph. 30 range. Technical details.

# Wilkhahn



Design : jehs+laub

## Technical details

### Function

Distinctive, high-end, standalone conference chair in two backrest heights. Armrests stylishly link the seat and backrest. Exceptional, sprung (and at the sides also elastic) comfort due to three-point support with rear spring strut and sophisticated upholstery. Can be used in traditional conference and meeting rooms, executive offices and boardrooms or prestigious dining areas.

### Frame

Models 301/5, 302/5 and 304/5: Four-star base made of die-cast aluminum, coated black or signal white, matte polished or bright chrome-plated. Black, multipurpose glides made of plastic for all types of flooring. Optionally with base glides with larger contact area for sensitive floorings, either to match the star base coated black or in signal white, matte chrome-plated (matte-polished star base) or bright chrome plated (bright chrome-plated star base). Black polyamide glides for carpets. For hard floors (e.g. stone), please order with soft TPU, for wooden floors (e.g. parquet) with additional felt. These glides change the seating height to 44 cm. Optionally with casters for four-star bases compliant with the DIN EN 1335 and ANSI/BIFMA X 5.1 standards for conference chairs. Black polyamide twin-wheel swivel casters with load-dependent braking compliant with the DIN EN 12529 standard, with black polyurethane tire for multipurpose use on hard and soft floorings: The casters' black plastic shell comes either with a

chrome-plated ring (for a coated star base), matte chrome-plated ring (for a matte polished star base) or a chrome-plated ring (for a bright chrome-plated star base). These casters change the seating height to 45 cm. Models 301/5, 302/5 and 304/5: Swivel-mounted column with Y-shaped seat bearer made of die-cast aluminum, coated in black or signal white, matte polished or bright chrome-plated to match the star base. Permanently elastic, rubber/metal connecting elements. Sprung elastic strut made of top-quality spring steel in black. Models 301/8, 302/8 and 304/8: Swivel-mounted column with seat bearer and integrated rocking mechanism made of die-cast aluminum and high-luster polished or matte polished. Models 301/6, 302/6, 304/6, 301/7, 302/7, 304/7, 301/8, 302/8 and 304/8: Die-cast aluminum five-star base coated in black or signal white, matte polished or bright chrome-plated, with casters for five-star bases compliant with the DIN EN 1335 and ANSI/BIFMA X 5.1 standards for conference chairs. Twin-wheel swivel casters with load-dependent braking made of

black polyamide compliant with DIN EN 12529, with black polyurethane tire for multipurpose use on hard and soft floors: Black plastic shell for the casters either with chrome-plated ring (coated star base), matte chrome-plated ring (matte polished star base) or chrome-plated ring (bright chrome-plated star base). All models (except for 301/8, 302/8 and 304/8) with Y-shaped seat bearer made of die-cast aluminum, coated in black or signal white, matte polished or bright chrome-plated to match the star base. Permanently elastic, rubber/metal connecting elements. Sprung elastic strut made of top-quality spring steel in black. Models 301/6, 302/6 and 304/6 with swivel-mounted columns. Models 301/7, 302/7, 304/7 and models 301/8, 302/8 and 304/8 with precision-adjustable seating height via a gas lift column.

Subject to change.

# Wilkhahn

## Seat and backrest

Seat and backrest frame made of metal, with wave springs, fully covered in polyurethane foam with additional cushioning and replaceable textile or leather covers. Covers on the 304/5, 304/6, 304/7, 304/8 (Iconic Edition) models come with diamond-shaped top stitching and cut foam laminated on both sides and incorporated into the covers and are only available in 74/99, 74/16, 87/99, 87/85 leather.

## Armrests

Armrests that connect the seat and backrest made of die-cast aluminum and to match the frame coated black or signal white, matte polished or bright chrome plated. Optionally with integrated, leather-covered armrest pads, in black 74/99 leather when the chair has fabric covers, in the same color and material in the case of leather covers.

## Standards

The Graph chairs comply with the DIN EN 16139, DIN EN 1728 and ANSI/BIFMA X5.1 standards.



www.tuv.com  
ID 1000000000



## Graph. Environment and product.

# Wilkhahn



Graph conference chair offers a timeless aesthetic, consistent quality and added functional value.

Designers jehs+laub came up with the Graph conference chair range whose form and function set new standards. The aesthetic stands apart for its engaging blend of a fluid form and clear lines, harmony and contrast, encased and open sections. And the exceptional comfort provided by the compact upholstery is pioneering in itself. Steel frames with wave springs, foam and extra padding meet exacting demands when it comes to comfort. Unique in a conference chair of this category is a leaf spring in the seat's three-point support. Without any mechanical components at all, this provides three-dimensional flexibility to stimulate body and mind. Consequently, it virtually goes without saying that there are no screws in the armrests. Or that the frame's shapes and surfaces are perfectly crafted and molded. Or that the stitching on the replaceable covers mirrors the stylish lines.

Graph is made to last and last. The iconographic form's already considered a classic and the chair's upholstery and innovative flexibility ensure superb comfort. The materials and craftsmanship are also designed to withstand the test of time. Despite its sculptural shape, Graph and its seat, armrests, backrest shell and various star bases are modular. If necessary, all components can be replaced separately. What's more, the materials comply with Wilkhahn's ecological product development requirements. The armrests, seat bearer and star base

are made of die-cast aluminum. A large proportion of this metal is recyclable in closed loop recycling management systems without any quality loss.

- The armrests, seat bearer and star base are made of die-cast aluminum, a large proportion of which is recyclable in closed loop recycling management systems without any quality loss.
- The leaf springs, wave springs, as well as the seat and backrest frame are made of steel. This material can be precision-processed, is readily available, stable and also ideal for closed loop recycling.
- The CFC-free polyurethane foam is breathable and can be used in thermal recycling processes.
- The replaceable, leather or high-quality textile covers are made of materials that are renewable, or also suitable for closed loop recycling systems.

The chair's outstanding look and feel encourage people to treat it with care and therefore extend its useful life even further.

### Milestones of socio-ecological development at Wilkhahn

- 2019 and 2020 Presented with the Architects' Darling Award as a winner of the cradle-to-cradle challenge
- 2018 Wilkhahn receives the B.A.U.M. environmental prize and an award from the Lower Saxony Alliance for Sustainability.
- 2013 The company is connected to the district heating grid of a biogas plant nearby
- 2012 The ON office chair is presented with the Federal EcoDesign Award
- 2009 Wilkhahn signs a framework agreement with German trade union BHI (Building and Woodworkers International) on worldwide compliance with core ILO labor standards at Wilkhahn and its suppliers via in-house controls and external monitoring by German trade union IG Metall.
- 2008 A combined heat and power plant based on renewables is commissioned.
- 2001 First company in the state of Lower Saxony with EMAS 2 European environmental standard certification.
- 2000 Publishes one of the first medium-sized business reports on sustainability
- 1997 Corporate Conscience Award from the Council on Economic Priorities, New York
- 1996 German Environmental Prize from the German Environmental Foundation
- 1992 The first ecologically designed production facilities with a photovoltaic roof and launch of the first office chair range to be developed based on the ecological design concept.
- 1989 Mission statement on ecological changes at Wilkhahn: "The administrative and management board have jointly decided to take ecological concerns seriously and to place greater emphasis on them than a quick profit".

### Awards





## Graph. Product responsibility.

Our antidote to the throw-away society is to provide products where form, function and materials have a purpose and are long lasting. Our product responsibility concept therefore follows well-defined guiding principles.



### 1. Avoid waste – “the longer and better”

is the remit to our product development team. We achieve this thanks to:

- useful innovations that make life easier and more pleasant in the long term;
- durable quality of materials, surfaces and technical solutions, which guarantees quality, even years later;
- distinctive, timeless and appealing designs with the potential to become classics;



### 2. Reduce – “less is more”

is more than just a design principle to us, it means:

- we cut down on the materials used in order to make handling easier and to preserve resources;
- we use energy in manufacturing efficiently, for example by drawing on district heating and heat recovery in manufacturing;
- we reduce emissions, by utilizing solar power and climate-neutral energy sources (cutting CO<sub>2</sub>).



### 3. Recover – “Reuse + Recycle”

In this case, the goal is to continue to use the whole product or parts of it and recycle it at the end:

- Because the products are modular, expendable parts can be exchanged and features added or retrofitted (e. g. armrest types, covers, cushions, surfaces).
- Connecting points in the product can be dismantled for easy repair.
- Where possible, we use pure materials that are marked as such, making them ideal for recycling.



### 4. Fairness – responsibility all along the line

At Wilkhahn, environmental and social responsibility have an equal weighting. Health and safety, training, active participation by and fair pay for employees are integral to our corporate culture. As a result, we actively encourage our suppliers and customers worldwide to improve working conditions. Which is why Wilkhahn joined Global Compact and signed an international framework agreement with the International Labor Organization (ILO) on global recognition and fostering of employee interests.

## Graph. Environmental product information.

### Guiding principles.

#### Honest product design

We strive to develop durable products, increase their utility value and reduce waste. "Less is more" or "reduce to the max" are principles that Wilkhahn constantly reinterprets for the future. Ecological design guidelines are integral components of Wilkhahn product development.

#### A spirit of fairness

We focus on people. This implies a collaborative management style which sees employee representatives as co-managers who help shape the company. The workforce's participation in the company's success, the development of new styles of working with semi-autonomous groups and project work, as well as an established health-management system are expressions of Wilkhahn's social approach.

#### Ecological responsibility

Wilkhahn supports sustainable development. The balance we seek to strike between financial, ecological, social and cultural objectives in order to maintain independence defines Wilkhahn's corporate culture. Compliance with ecological quality criteria throughout the product life cycle is one of the ways we gauge our own success.

#### Responsibility from the very start – Wilkhahn's environmental product information.

The environmental impact of all Wilkhahn products throughout their whole product lives, which includes production of the feedstock, manufacture, use and disposal of the products, was assessed based on a life-cycle analysis (LCA).



# Wilkhahn



#### Materials

Socio-ecological assessment of the production of the feedstock, the procurement process, the materials used and their characteristics.



#### Production

Socio-ecological assessment of the production and assembly processes by environmental-management and social-audit systems.



#### Product use

Socio-ecological assessment of the product utility phase regarding: Design, ergonomics, durability, customer service, availability of spare parts.

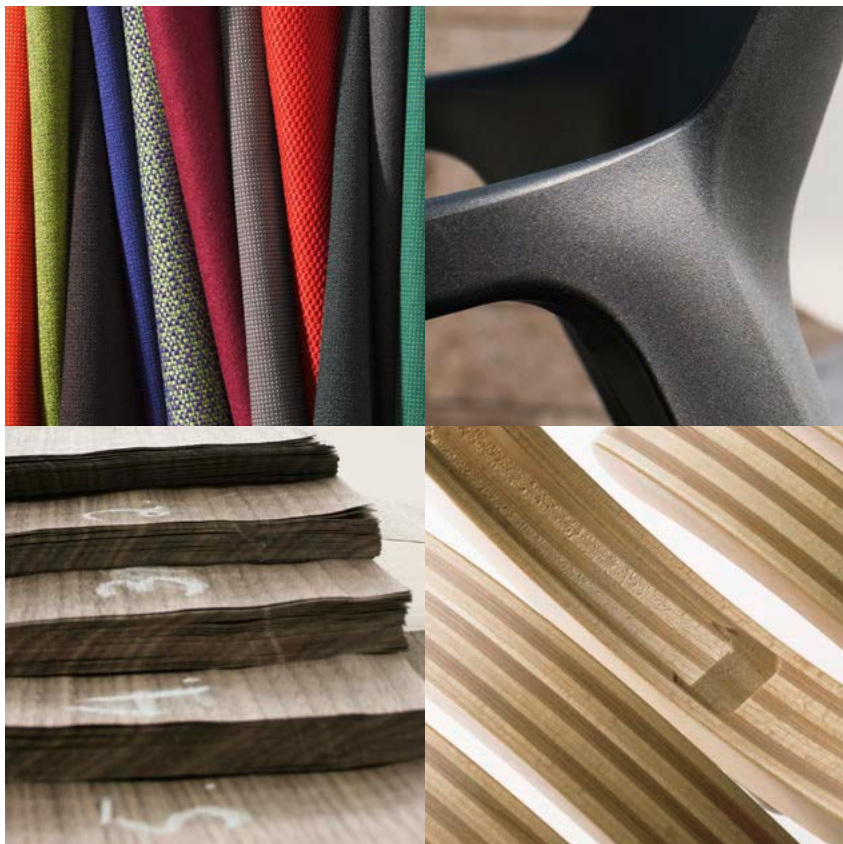


#### End of the product life-cycle

Socio-ecological assessment of the product after the end of its useful life: Disassembly and recycling capabilities, disposal and product take-back.

## Graph. Environmental product information.

# Wilkhahn



### Materials.

#### International product and material standards.

During all phases of a product's development, we're demanding when it comes to the characteristics of our products, the quality of the materials and components, as well as the standard of our craftsmanship. Therefore, Wilkhahn products fulfil all relevant international office-furniture standards in terms of durability, safety and ergonomics. And what's more, many Wilkhahn products have also been awarded the GS symbol which rates them as being safe and as suitable for interiors as specified by Greenguard™. The materials Wilkhahn uses such as fabrics, leather, wood, plastics or metals are primarily made by highly specialized suppliers. Our product-development department specifies the technical and aesthetic characteristics that these materials have to fulfil. Our specifications on for example strength, color-fastness, durability and other characteristics that affect the quality of our products are clearly outlined by international material standards. Rules of thumb are as follows:

- The fabrics and leather used by Wilkhahn are low on emissions and help to provide good air quality in buildings and working environments;
- Wherever possible, Wilkhahn works with ecological upholstery fabrics, such as wool fleeces, cork and coconut fiber;
- All Wilkhahn polyurethane foam is free of CFCs and has no halogenated flame retardants. This helps protect the climate and is important for recycling capabilities at a later date. Nevertheless, Wilkhahn products can also fulfil special requirements as regards fire safety in public buildings, for example by applying flame-retardant upholstery fabrics. Additional flame-retardant materials are only added if required by our customers' stringent fire safety regulations.
- The powder-coated metal finishes of the table and chair frames are hard-wearing and made without any solvents or heavy metal.
- Chrome-plated metal finishes have no harmful chrome compounds (as specified in EN 71-3).

Wilkhahn attaches huge importance to the fact that its products and the associated materials, procedures and processes are responsible in social and ecological terms. Therefore, integrated audits help us check that our partners in the Wilkhahn supply chain comply with these aspects too. We check the quality of our products by inspecting incoming goods according to established criteria. Before processing, our materials are scrutinized and the finished results checked again by trained staff before forwarding to the next department.

## Graph. Environmental product information.

# Wilkhahn



### Production.

#### Integrated management system

Wilkhahn headquarters in Bad Münde (Germany) are EMAS-validated and certified to ISO 14001. Wilkhahn supports relevant certification on the part of its suppliers. Wilkhahn's main production site is certified to ISO 9001. In selecting suppliers, comprehensive and proper quality management are very important to Wilkhahn.

#### Water conservation, material management and sustainable energy production

Water is becoming an increasingly important resource. Wilkhahn is pulling out all the stops to minimize water consumption during production and to ensure water quality is not impaired.

By treating and recycling process water, the quantities of waste water considered hazardous have been cut by 80 percent. The Wilkhahn waste management concept includes sorting waste selectively, as well as recycling and disposing of all waste fractions resulting from the production and management departments.

All Wilkhahn production facilities ensure compliance with labor and social responsibility standards, as required by the ILO (International Labor Organization). Our partnership with suppliers is based on compliance with this agreement.

#### Sustainability in the supply chain.

Our environmental and social responsibility doesn't stop at the gates to our own factories.

If within its power, Wilkhahn requires and promotes fair and safe working conditions and processes that don't harm the environment. Frequent assessment and on-site visits to top suppliers create trust and sustainability in the supply chain too.

#### Employees as partners.

Our maxim is fairness and aspects like trust and reliability define Wilkhahn's management culture and the way it involves its own workforce. Active participation by all employees is a driving force in encouraging continual and successful improvements in the environmental sector too. Whether it's a question of avoiding hazards in the workplace, of new manufacturing technologies, or of saving materials and energy – all employees can contribute their ideas for improving Wilkhahn at any time via the company's ideas management process.

#### Health and safety

Wilkhahn applies a wide range of measures to ensure that workspaces in the Wilkhahn production department are safe and allow as risk-free an approach as possible. This is achieved by:

- Planning safe procedures and workspaces;
- Organizing and defining responsibilities;
- Informing people about the risks the workspace entails and taking measures to avoid these;
- Regularly inspecting working environments to maintain safety and cleanliness in all areas;
- Using the health and safety committee to frequently discuss risk potentials and systematically avoid accidents.

## Graph. Environmental product information.

# Wilkhahn



### Usage.

#### Aesthetics and design

Sustainable products must be practical. The timeless aesthetics of Wilkhahn products provide added value, making them options that are set to endure. Office work today requires maximum flexibility in terms of spaces, usage concepts, processes and people. New studies show that aesthetics have a direct impact on health.

#### Durability and guarantee

Product design to last is our antidote to the throw-away society. Therefore, Wilkhahn products focus on providing maximum utility value, durability and protecting resources. This means top quality that can be experienced, is consistent and perfect. It delivers timeless, distinctive design that is fascinating due to its simplicity, honesty and appeal to all the senses. Pioneering innovations are included that really give our customers constant added value in terms of ergonomics and handling. The fact that our products are extremely practical, easy to disassemble and components are replaceable ensures they are resource-efficient.

#### Air quality and emissions of harmful substances

Wilkhahn products don't emit any concentrations of gas that are harmful to the environment or health. In the US, Wilkhahn products have GREENGUARD Indoor Air Quality™ certification. GREENGUARD™ is a certification program for products low in emissions.

#### LEED

Wilkhahn office chairs and table ranges help companies to achieve credit points during LEED certification (U.S. Green Building Council's Leadership in Energy and Environmental Design). The LEED Green Building Rating System is a voluntary standard given to companies that offer a healthy environment, save water and energy and comply with stringent environmental criteria. More LEED information about our products is available on request.

## Graph. Environmental product information.

# Wilkhahn



### End of the product life cycle.

#### Product take-back and recycling

Even after the product has reached the end of its life, we still feel responsible and offer our customers extensive take-back and recycling services. We guarantee to take back all products that are no longer in use. Wilkhahn products are dismantled in the factory, all parts are selectively sorted in terms of their inherent materials and then recycled. By labelling the materials, ensuring they're non-toxic and easy to dismantle, we're already making sure today that the components in Wilkhahn products can be incorporated into local material and production cycles and be properly recycled and disposed of. As a result, energy-guzzling (and therefore ecologically unwise transportation) over long distances is avoided.

#### Disassembly and recycling

All Wilkhahn product components are suitable for non-destructive disassembly. In order to guarantee materials are sorted according to type, all components over 150 g in weight are labeled. No agents to protect materials, or organic halogen compounds are used that prevent recycling at a later date.

#### Reusable packaging for transport

Customers in over 90 countries choose Wilkhahn office furniture. For years we've only been using as much packaging to transport our products as is required to deliver them in one piece to our customers. Some 60 to 78% of Wilkhahn's cardboard packaging consists of recycled material. And Wilkhahn regularly uses blankets and other returnable packaging.

## Graph. Environmental product information.

# Wilkhahn



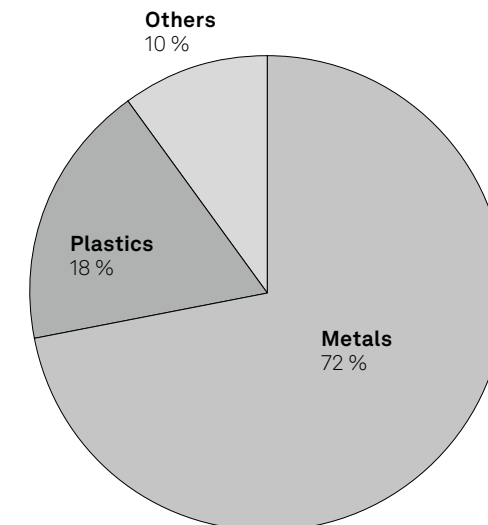
### Materials.

**Material composition for the 301/5 Graph conference chair model, Powder-coated four star base on glides with a fabric cover.**

	[kg]	[%]
<b>Metals</b>	<b>11.20</b>	<b>72</b>
Steel	5.00	32
Aluminum	6.10	39
Zinc	0.70	1
<b>Plastics</b>	<b>2.80</b>	<b>18</b>
Polypropylene (PP)	0.10	1
Polyamide (PA)	0.00	0
Polyurethane (PUR)	2.50	16
Polyester	0.20	1
<b>Others</b>	<b>1.50</b>	<b>10</b>
<b>Total weight</b>	<b>15.50</b>	<b>100</b>
<b>Recycling proportion</b>	<b>8.90</b>	<b>57</b>
<b>Recycling capabilit</b>	<b>15.00</b>	<b>97</b>

Not recyclable: Cover fabric

Materials are subject to stringent checks. As part of an ABC analysis, the materials are checked to ensure they are environmentally friendly and not harmful to health. Prohibited chemicals are not used in the product at all. All feedstock is listed in a register of hazardous substances. This helps to minimize the use or allow the substitution of any potentially harmful materials.



## Graph. Environmental product information.

# Wilkhahn



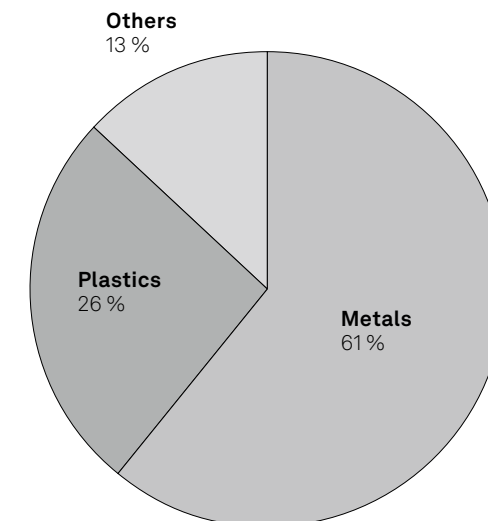
### Materials.

**Material composition for the 301/7 Graph conference chair model, Star base with chrome-plated casters, chrome gas lift, leather cover, armrests.**

	[kg]	[%]
<b>Metals</b>	<b>13.10</b>	<b>61</b>
Steel	7.38	34
Aluminum	5.59	26
Zinc	0.15	1
<b>Plastics</b>	<b>5.50</b>	<b>26</b>
Polyamide (PA)	0.65	3
Polypropylene (PP)	0.04	0
Polyurethane (PUR)	4.60	22
Polyester	0.20	1
<b>Others</b>	<b>2.80</b>	<b>13</b>
Cover (wool, leather)	2.80	13
<b>Total weight</b>	<b>21.40</b>	<b>100</b>
<b>Recycling proportion</b>	<b>9.50</b>	<b>45</b>
<b>Recycling capability</b>	<b>20.60</b>	<b>96</b>

Not recyclable: Leather

Materials are subject to stringent checks. As part of an ABC analysis, the materials are checked to ensure they are environmentally friendly and not harmful to health. Prohibited chemicals are not used in the product at all. All feedstock is listed in a register of hazardous substances. This helps to minimize the use or allow the substitution of any potentially harmful materials.





## Graph. Environmental product information.

# Wilkhahn



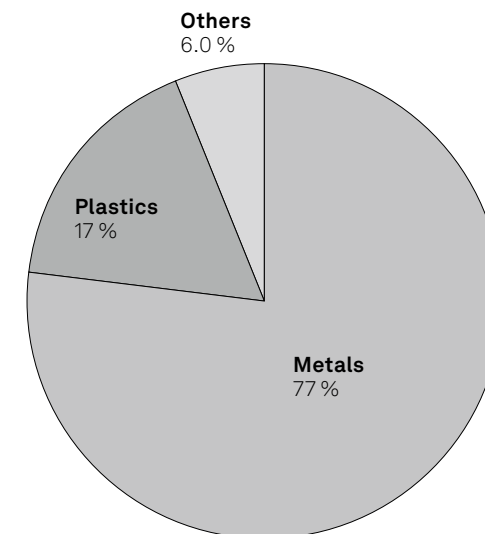
### Materials.

**Material composition for the 301/8 Graph conference chair model, Matte-polished five star base with casters, matte-polished armrests, Credo fabric**

	[kg]	[%]
<b>Metals</b>	<b>17.80</b>	<b>77</b>
Aluminum	6.60	29
Steel	11.10	48
Zinc	0.10	0
<b>Plastics</b>	<b>3.80</b>	<b>17</b>
Polypropylene (PP)	0.10	0
Polyamide (PA)	0.60	3
Polyurethane (PUR)	2.90	13
Polyester	0.20	1
<b>Others</b>	<b>1.30</b>	<b>6</b>
Cover (wool, leather)	1.30	6
<b>Total weight</b>	<b>22.90</b>	<b>100</b>
<b>Recycling proportion</b>	<b>12.40</b>	<b>54</b>
<b>Recycling capability</b>	<b>22.30</b>	<b>97</b>

Not recyclable: Cover fabric

Materials are subject to stringent checks. As part of an ABC analysis, the materials are checked to ensure they are environmentally friendly and not harmful to health. Prohibited chemicals are not used in the product at all. All feedstock is listed in a register of hazardous substances. This helps to minimize the use or allow the substitution of any potentially harmful materials.



# Graph. Environmental product information.

# Wilkhahn

## Certificates product/standards



ANSI/BIFMA X5.5

## Company's certificates, memberships



Mitglied der  
**DGNB**  
Deutsche Gesellschaft für Nachhaltiges Bauen  
German Sustainable Building Council



**B.A.U.M.**

## Wilkhahn and sustainability

# Wilkhahn



In over 100 years of its corporate history, Wilkhahn can look back on a sustainability philosophy that has grown over decades. Aspects such as durability, social fairness, environmental responsibility and cultural orientation have been evolving as corporate principles since the 1950s. Wilkhahn today is regarded internationally as a model of excellence, not only on account of its products but also because of its modern corporate philosophy. This is because the company realized early on that sustainable design should embrace environmental aspects, improve social relationships and define the cultural role of a company. This approach to the way we do business creates a bond between us and our customers throughout the world. There is surely no more rewarding task than working together for a successful future that is worth living in.

📄 [Current sustainability report with environmental statement](#)



For further information please contact us!

# Wilkhahn



Wilkening + Hahne GmbH+Co.KG  
Fritz-Hahne-Str. 8  
31848 Bad Münde  
Germany  
Tel.: +49 5042 999-100  
[contact@wilkhahn.de](mailto:contact@wilkhahn.de)  
[www.wilkhahn.com](http://www.wilkhahn.com)



Roof of one of the four pavilions,  
which were designed by architect  
Frei Otto, on the Wilkhahn site.  
Photo: Klemens Ortmeier