

Wilkhahn

Graph tables. 300 range.





Graph Tables.

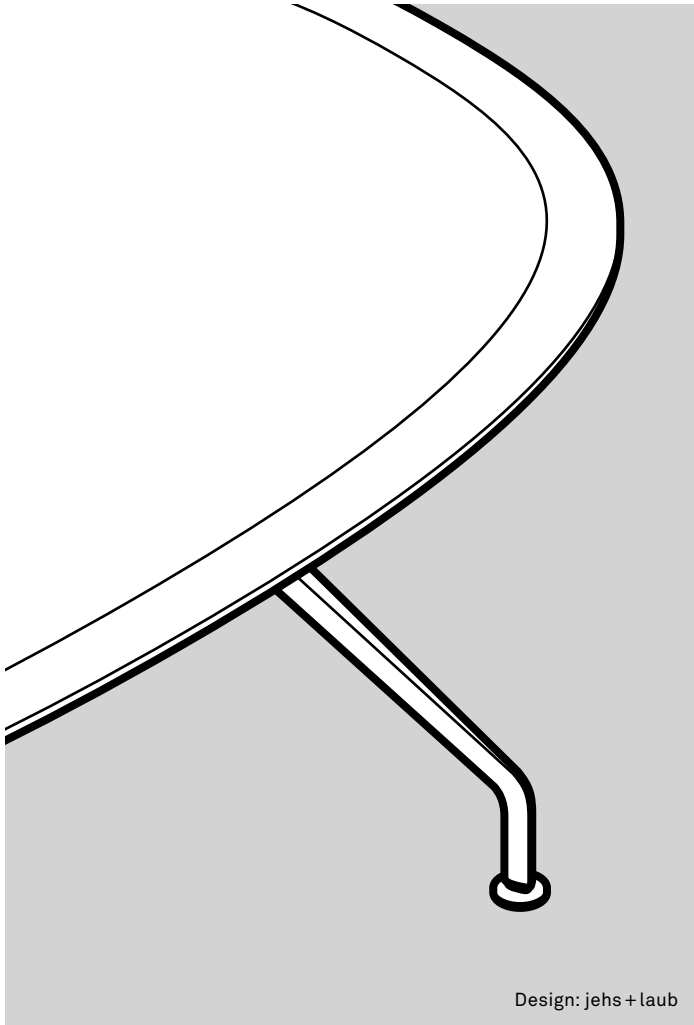
Graph is the ideal choice where superior comfort and uncompromising quality are required. The name of the range, designed by Markus Jehs and Jürgen Laub, refers to its graphical aesthetic. And it's this feature the chair owes its name to: the seat shell is cut through horizontally and vertically and then reassembled. The upshot is an intriguing mix of a fluid form and clear lines, closed and open areas, harmony and contrast. The same goes for the matching tables and their suggestion of lightweight elegance. Whether they're destined for large conferences, small meetings or executive offices, Graph tables and chairs are an appealing combination due to their impressive finishes, exclusive materials and flawless craftsmanship. As a result, Graph is already one of tomorrow's classic items of furniture.





Graph table. 300 range. Technical details.

Wilkhahn



Design: jehs + laub

Function

A high-quality table system for traditional conference and executive workspaces.

Frame

Die-cast aluminium table legs, bright chrome-plated, matt-polished chrome or coated black or signal white. Table crossbeams/underframes made of aluminium-extruded profile, colour matched with the table legs (exception: model 300/50, reinforcement underframes on the inside always black). Table top bearers to connect to the table top made of black coated steel, exception: table top bearer is coated white when the frame is coated white. Adjustable table glides (10 mm) are made of steel, the glide cover is made of die-cast zinc, surface the same as the frame, with glide insert made of polyamide for soft floorings and polyurethane for hard floorings or with felt insert.

Table tops

Table top group 2 – veneer

Table top thickness 26 mm variant 1: Veneers made of beech, oak or ash from the Wilkhahn wood-stain colour samples with colour-matched and symmetrically curved table edge, protected with colourless natural wood varnish. Variante 2: Veneers made of maple, walnut or elm with colour-matched and symmetrically curved table edge, protected with colourless natural wood varnish.

Table top group 6 - varnished

Table top thickness 25 mm Varnished in white or black with colour-matched and symmetrically curved table edge.

Accessories

Cable channel

Cable channel made of aluminium extruded profile, retractable, coated black.

Single table portals, opening lengthways and crossways

Portal opening lengthways, bevelled on both of the long sides (can be used on both sides), gas-lift damped automatic opening mechanism, portal on both sides in the same colour and material. Single table portal: 300 x 165 mm Portal opening sideways, bevelled on one long side (can be used from one side), gas-lift damped automatic opening mechanism, portal on both sides in the same colour and material. Single table portal: 300 x 165 mm.

Single table portal Basic

Aluminium installation frame with portal and brushed profile. Single table portal: 300 x 120 mm.

Vertical cable management

Flexible black cable sheath. Length including table attachment and floor panel approx. 75 cm.

Standards

The Graph tables comply with the DIN EN 527 and the ANSI / BIFMA X 5.5 standards.



www.tuv.com
ID 1000000000

Edge profiles

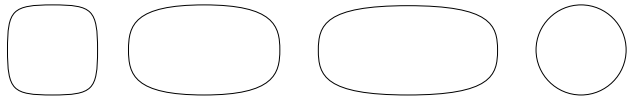


Symmetrically curved

Graph table. 300 range. Product types.

Wilkhahn

Shapes



Square: 120 x 120 cm to 290 x 290 cm. Oval and elliptical tables: 120–230 cm x 200–780 cm. Round: Ø 125–300 cm. Height: 73 cm



Square



Oval and elliptical



Round

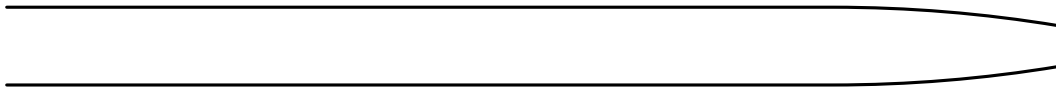
Graph table. 300 range. Table top types.

Wilkhahn



Table tops with symmetrically curved edge, 26 mm thick
Medium-density table tops with veneers from the Wilkhahn veneer sample card

Not shown: White or black opaque varnished table tops



Symmetrically curved edge
(table top groups 2 and 6)

Table top groups



Varnished black or white, veneer type 1 or 2, you can find further surfaces in our media center.

The digital sample colours differ from the originals.

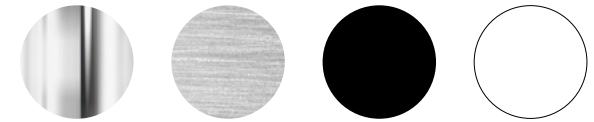
Graph table. 300 range. Frame types.

Wilkhahn



Bright chrome-plated die-cast aluminium table legs, not shown: aluminium table legs matt polished chrome

Frame versions



Bright chrome-plated aluminium, chrome matt polished, coated black or coated signal white

The digital sample colours differ from the originals.
You can find our current fabric collection in our media center.



Frame with adjustable base glides

Graph table. 300 range. Accessories and other items.

Wilkhahn

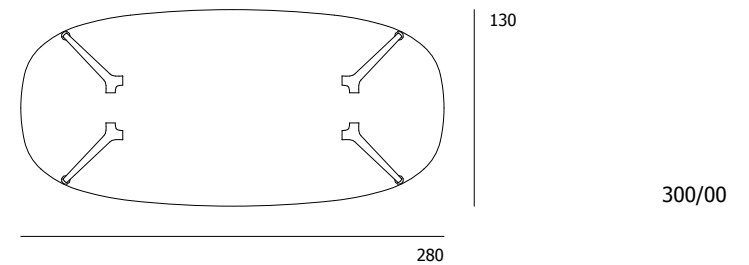
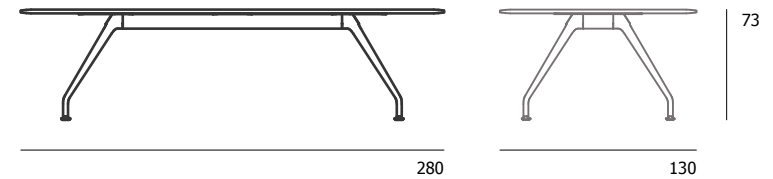
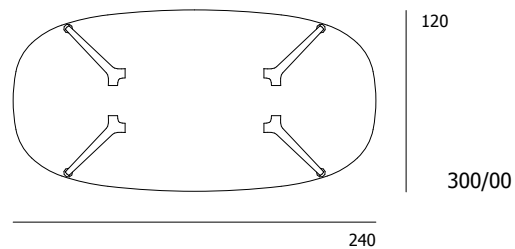
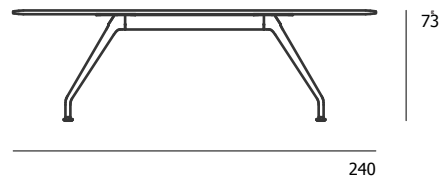
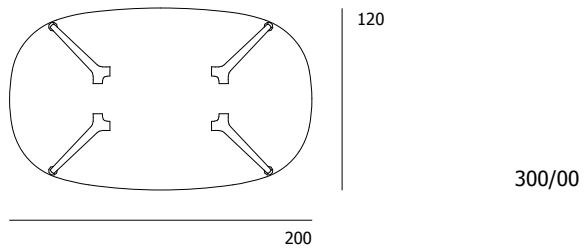
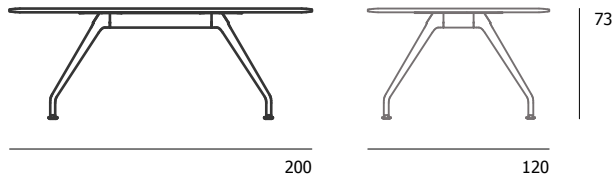


Single table portal made of wood with sideways opening
Not shown: single table portal made of wood that opens lengthways

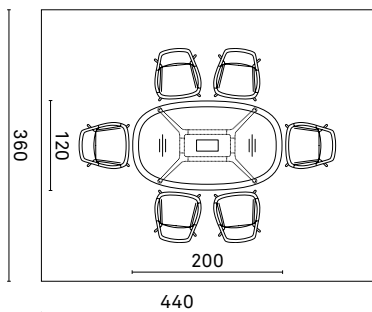
Graph table. 300 range. Models and dimensions / example configurations.

Wilkhahn

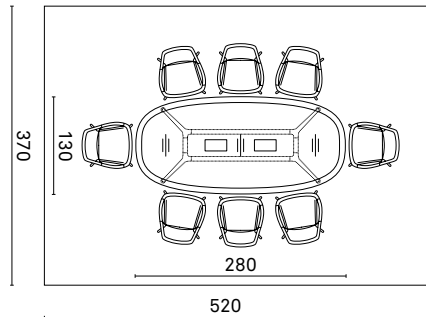
300/00 Table oval



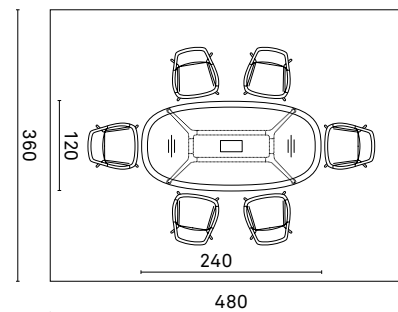
300/00 for 6 people



300/00 for 8 people



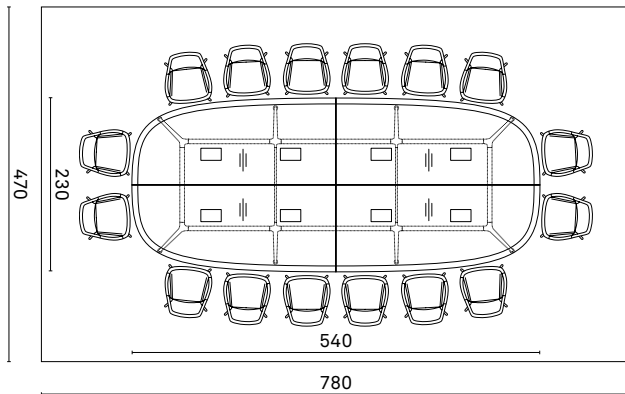
300/00 for 6 people



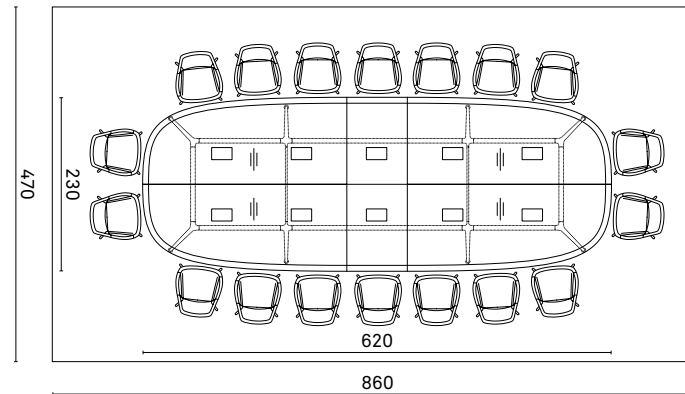
Graph table. 300 range. Models and dimensions / example configurations.

Wilkhahn

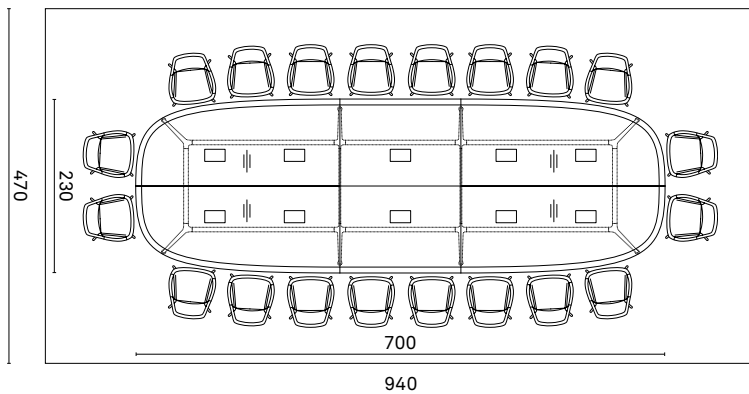
300/25 Table configuration oval – for 16 people



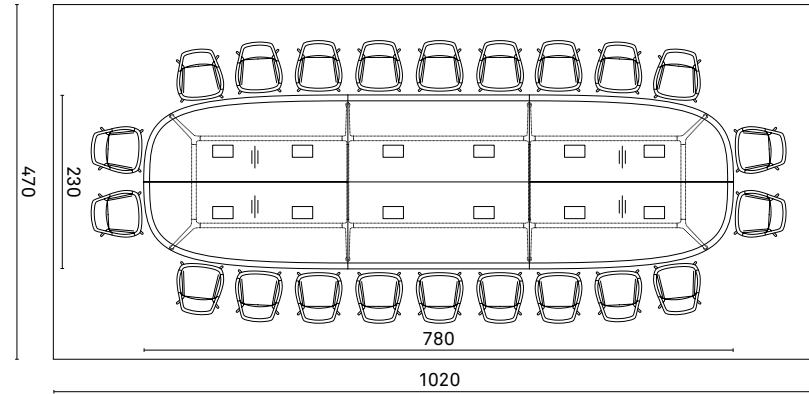
300/26 Table configuration oval – for 18 people



300/27 Table configuration oval – for 20 people



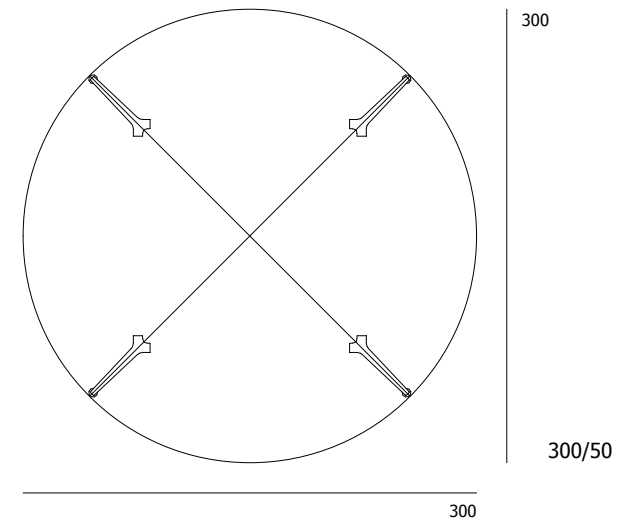
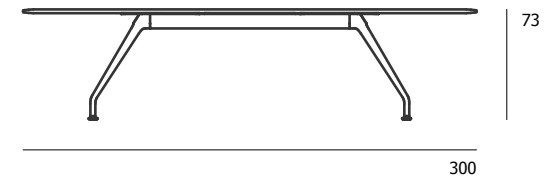
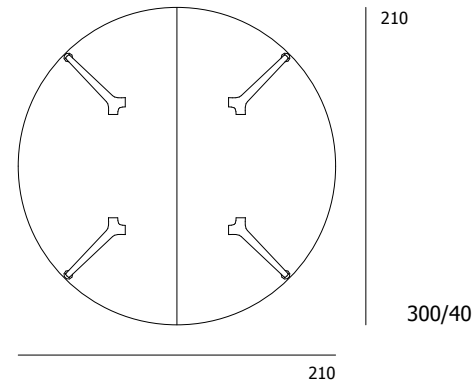
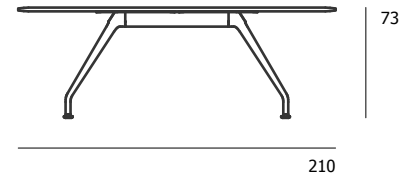
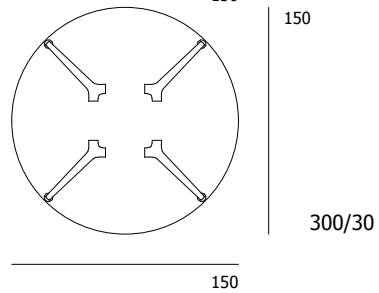
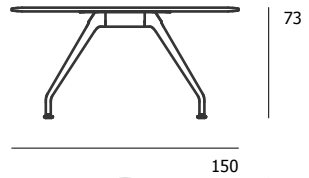
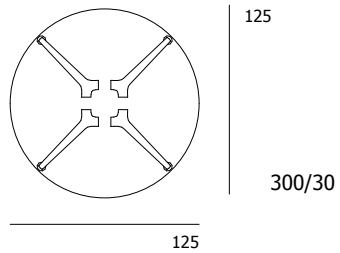
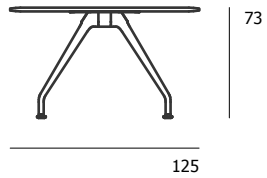
300/28 Table configuration oval – for 22 people



Graph table. 300 range. Models and dimensions.

Wilkhahn

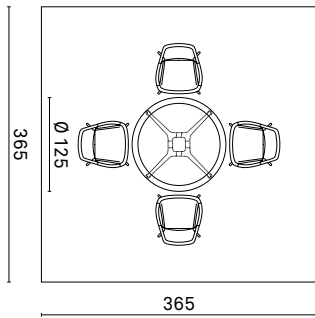
300/30, 300/40, 300/50 Table round



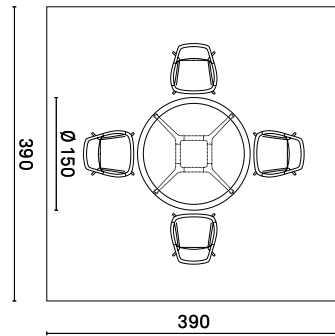
Graph table. 300 range. Models and dimensions / example configurations.

Wilkhahn

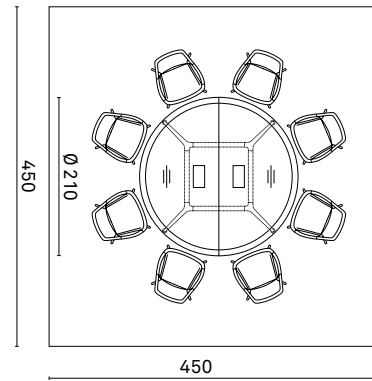
300/30 Table round – for 4 people



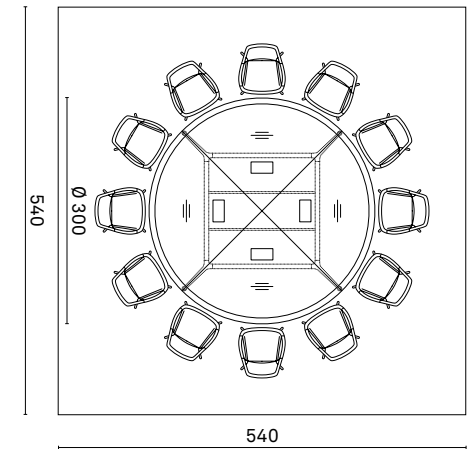
300/30 Table round – for 4 people



300/40 Table round – for 8 people



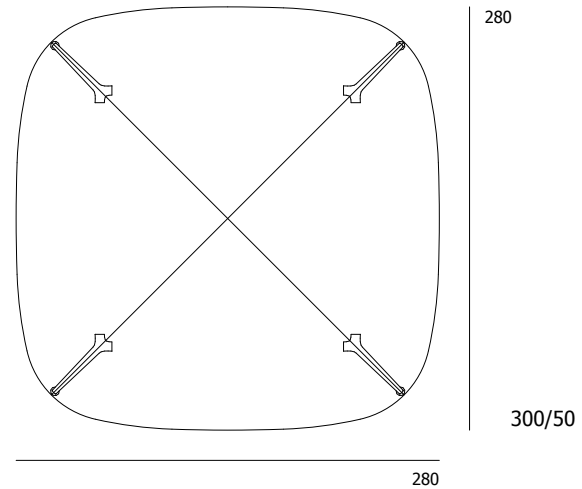
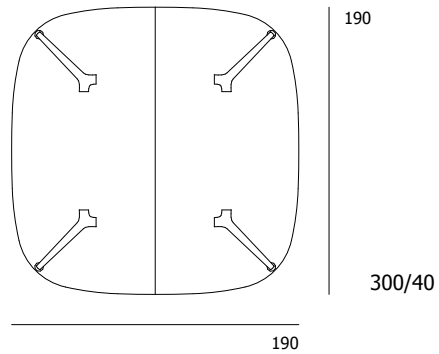
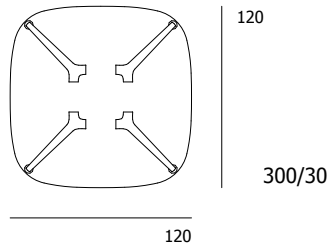
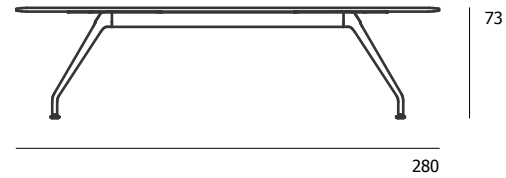
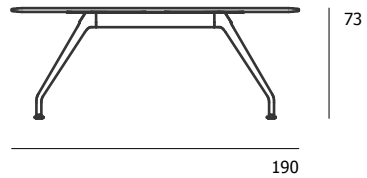
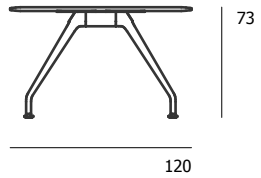
300/50 Table round – for 12 people



Graph table. 300 range. Models and dimensions.

Wilkhahn

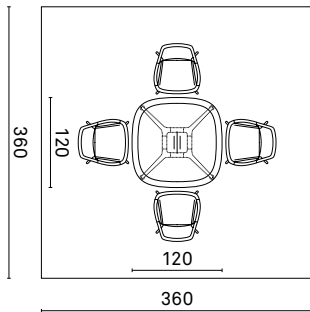
300/30, 300/40, 300/50 Table square



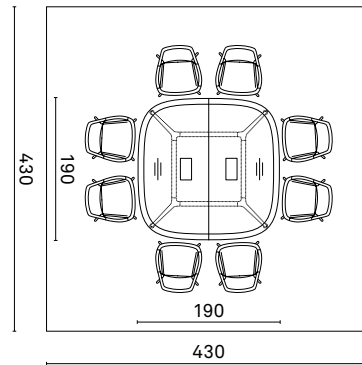
Graph table. 300 range. Models and dimensions / example configurations.

Wilkhahn

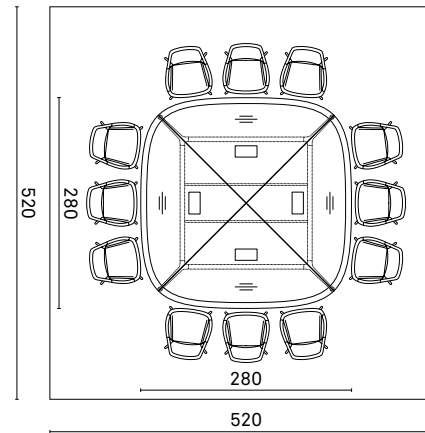
300/30 Table square – for 4 people



300/40 Table square – for 8 people



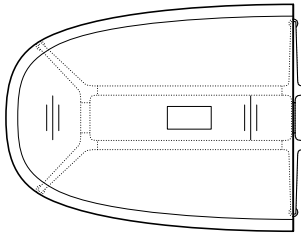
300/50 Table square – for 12 people



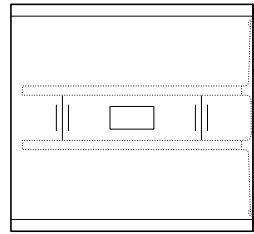
Graph table. 300 range. Models and dimensions / example configurations.

Wilkhahn

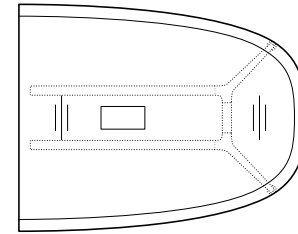
300/14 Starting element 150 x 190 cm



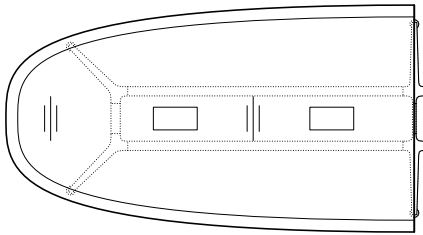
300/16 Intermediate element 150 x 160 cm



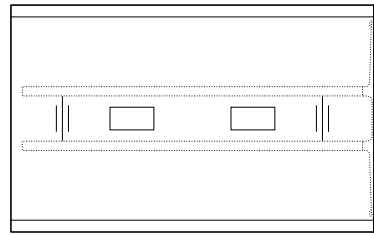
300/15 Finishing element 150 x 190 cm



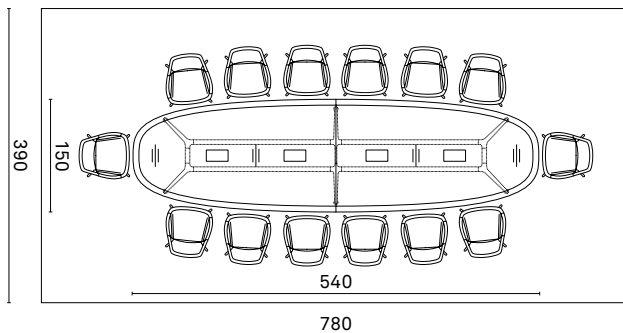
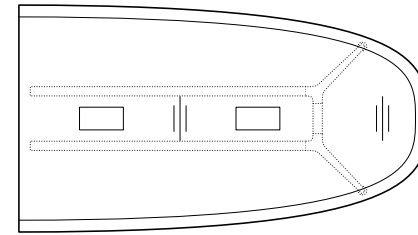
300/14 Starting element 150 x 270 cm



300/16 Intermediate element 150 x 240 cm



300/15 Finishing element 150 x 270 cm



Graph table. 300 range. Awards / standards / certificates.

Wilkhahn

Awards



Product certificates / product standards



DIN EN 527 ANSI/BIFMA X5.5

Company's certificates, memberships



Environment and product

A timeless aesthetic, added functional value and consistent quality

Graph tables are made to be hard-wearing and very versatile. The design is contemporary, yet won't quickly look outdated. The large spans, proportions and pleasant haptics make the tables versatile options. The quality of the materials used and the method of connecting the components are designed to last and last.

The materials comply with Wilkhahn's ecological product development requirements:

- The table legs are made of die-cast aluminium and the underframes of aluminium extruded profile. A large proportion consists of recycled aluminium and all of it can be recycled without any decrease in the quality. The optionally available, retractable cable channels are also made of aluminium extruded profile.
- The table top bearers to affix the table tops and the glides are made of steel, a large proportion of which has also been recycled, and can also be easily recycled again. The glide covers are also made of die-cast zinc. Zinc is a natural material that offers dimensional accuracy and can be recycled without any loss of quality.
- Depending on the flooring, polyamide glides (for soft floorings) or polyurethane glides, optional with felt inserts (for hard floorings) can be chosen. Both types of plastic are not harmful to health and can be recycled.
- The table tops are made of medium-density fibreboard (MDF), a wood-based material (renewable) which can be very precisely processed without any distortion. With a special pressing method (using a vacuum membrane press) the symmetrically curved table edges can be veneered right up to the outside border so that only narrow laminated wood lipping is necessary instead of wide, chamfered full-wood lipping. In addition to real-wood veneers protected with clear varnish, coloured coatings are also available. After a long product life, the table tops can be recycled.